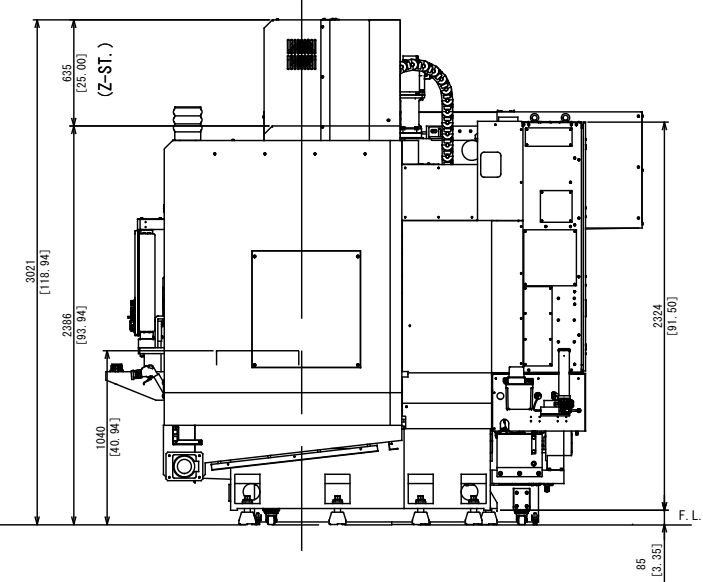
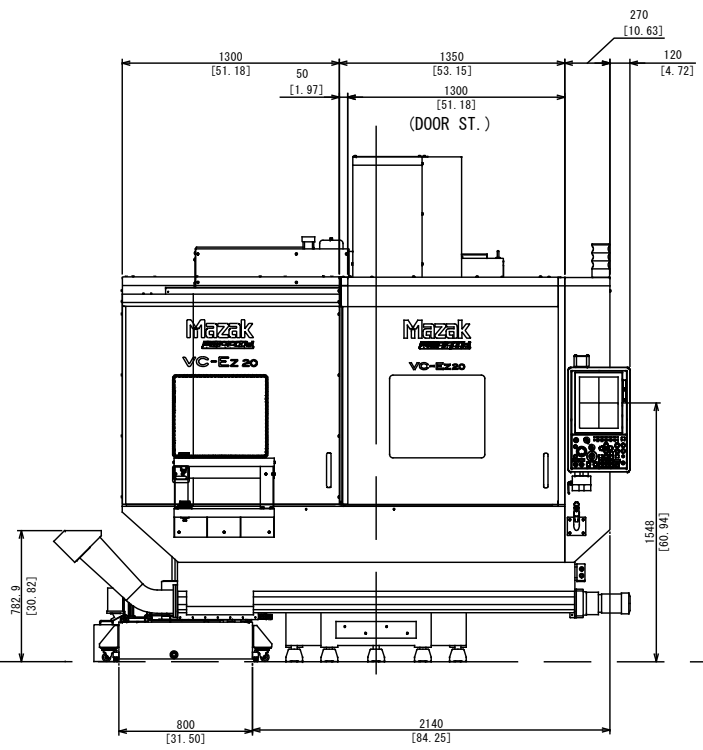
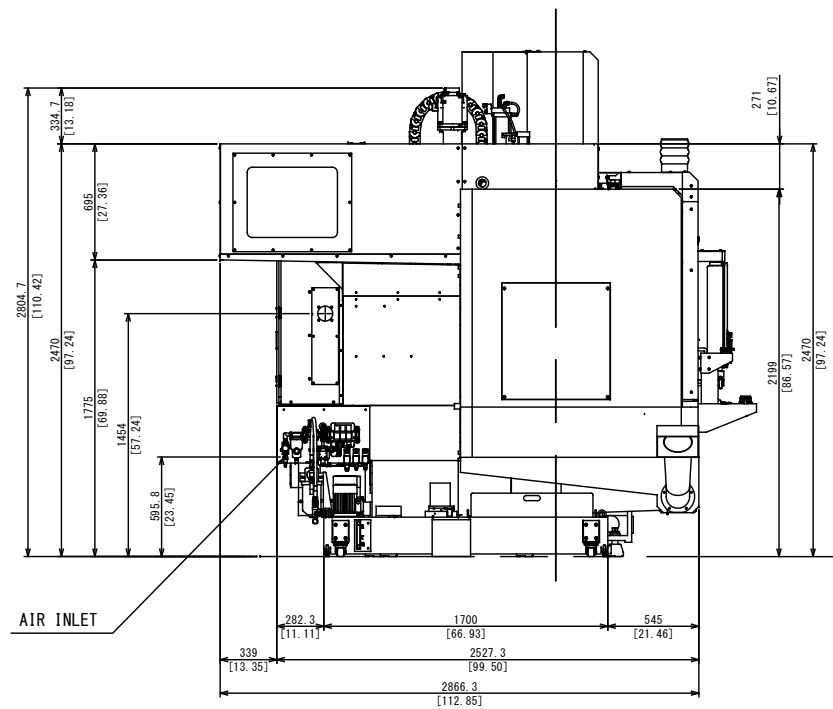
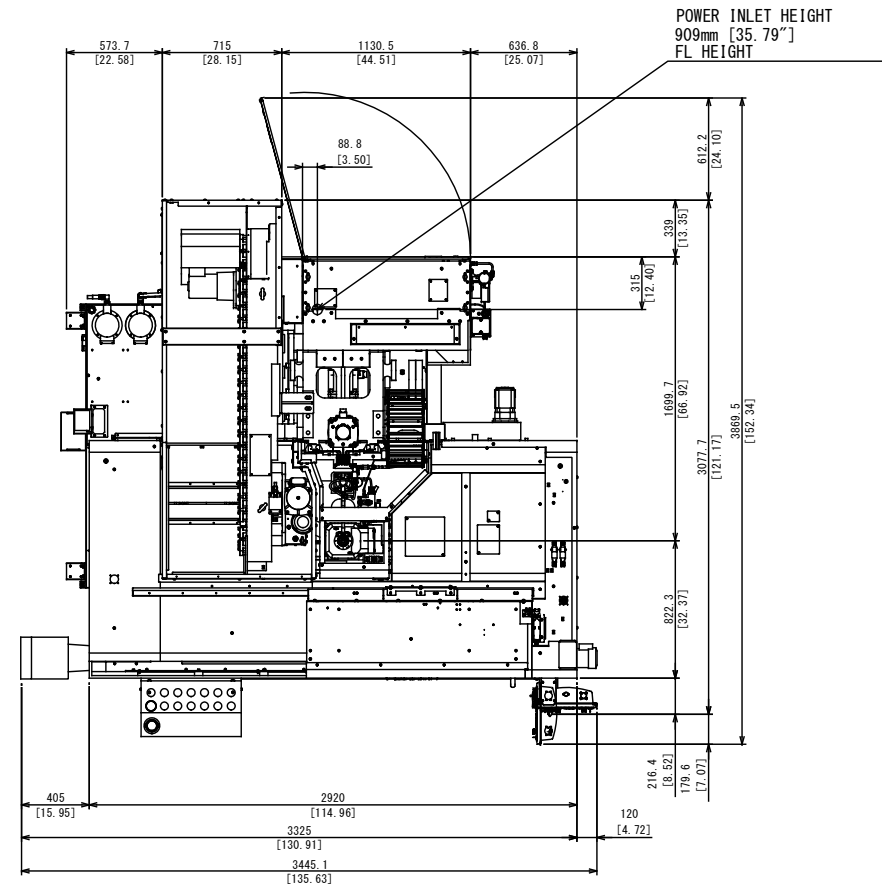
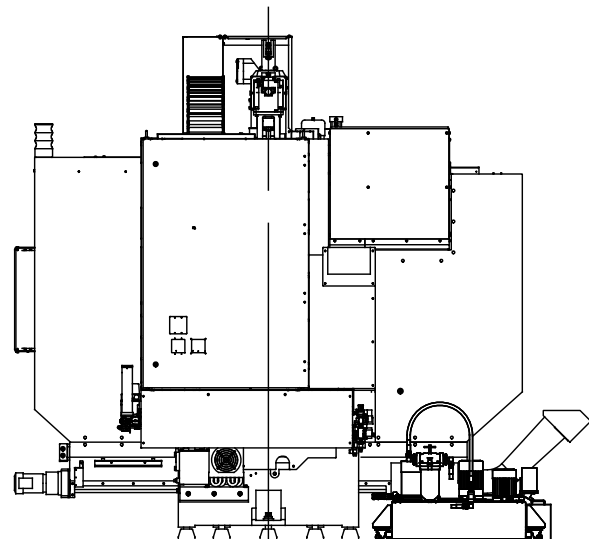


YAMAZAKI MAZAK Corporation has the property of this drawing and the design shown in it. Any part of this drawing and design shall not be disclosed to any third party without prior permission of YAMAZAKI MAZAK Corporation.  
 This product is subject to all the applicable Japanese Foreign Exchange and Foreign Trade Law.



THIRD ANGLE PROJECTION			
APP' D	CHK' D	DSGN	DRAWING
111820	111820	111820	111820
K.N	J.W	K.N	W-K.S
SCALE		NAME	
1:14		VC-Ez 20 S01	
DRAWING NO.		VC-Ez 20 S01 AUGER CONVEYOR TOTAL VIEW DRAWING	
QTY	DATE	DC NO.	SIGN
0	D65	TV	C011 0