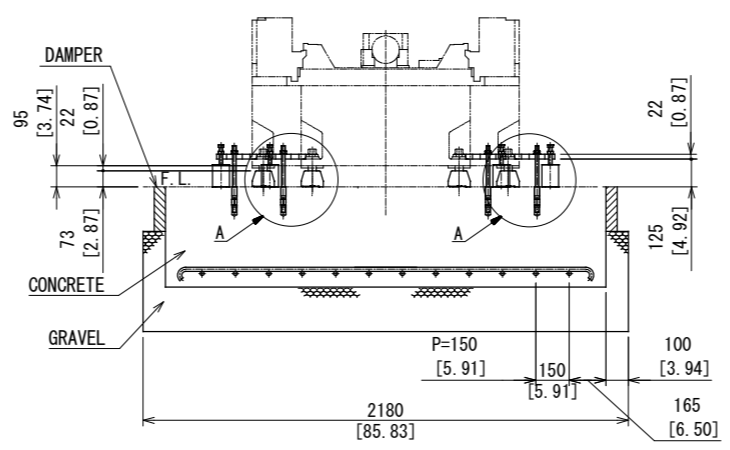
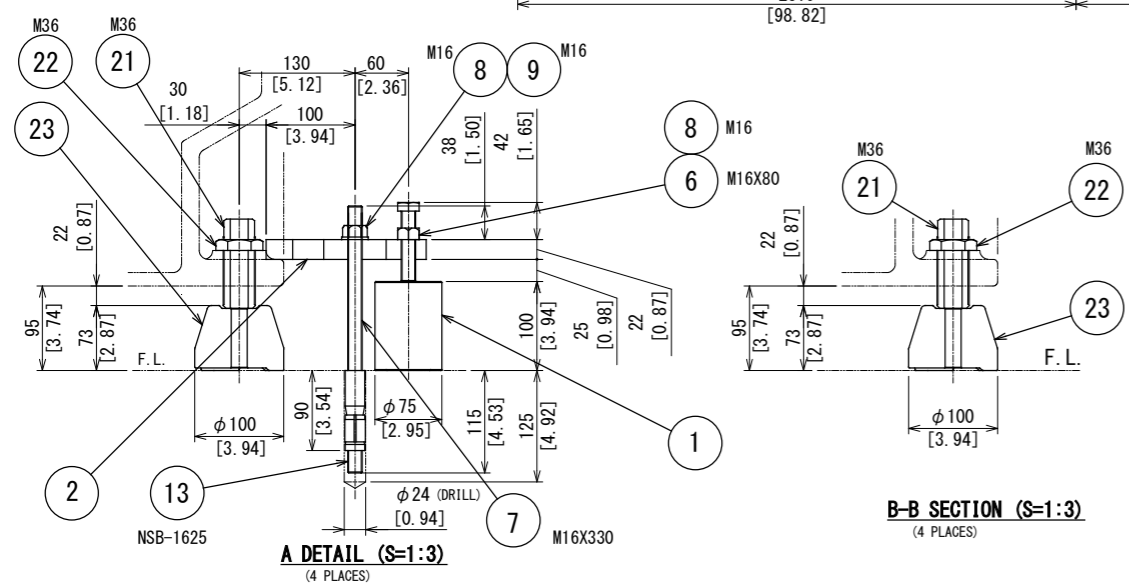
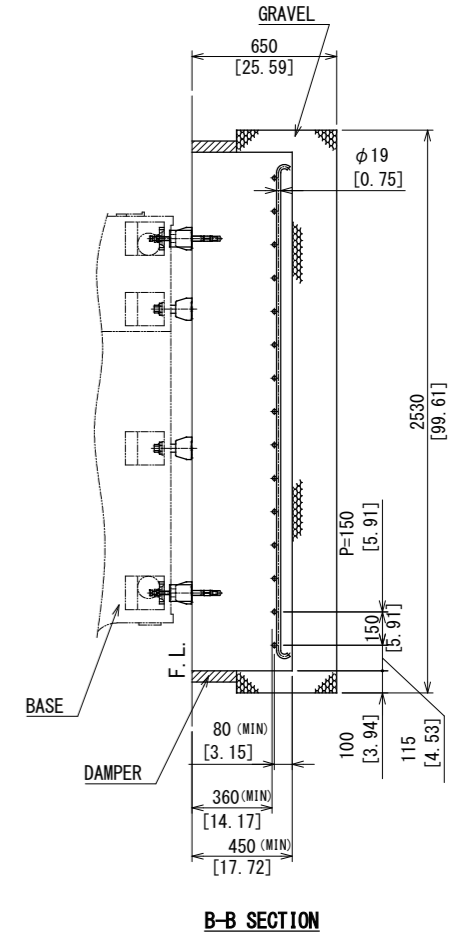
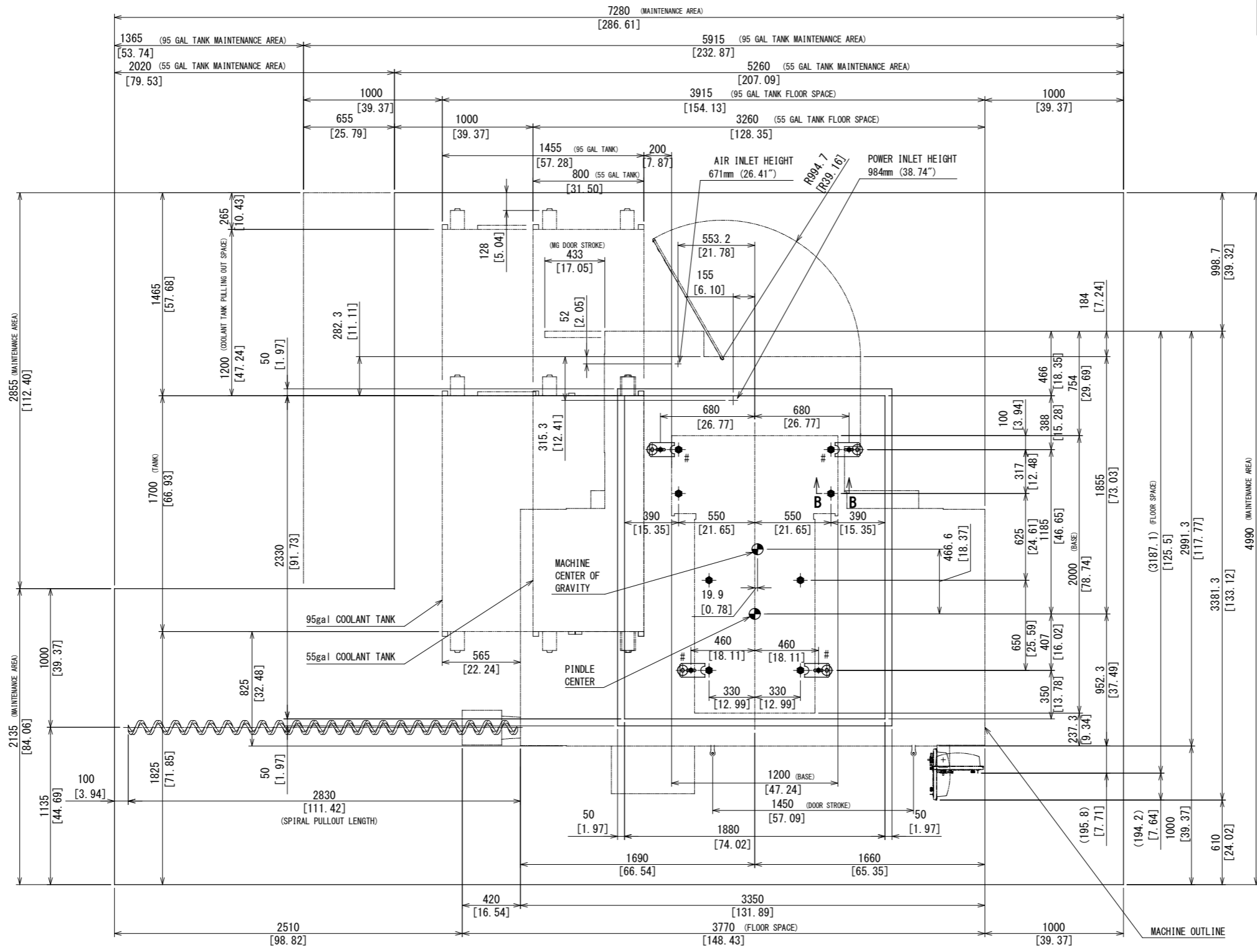


YAMAZAKI MAZAK Corporation has the property of this drawing and the design shown in it. Any part of this drawing and design shall not be disclosed to any third party without the prior permission of YAMAZAKI MAZAK Corporation.  
 This product is subject to all the applicable Japanese Foreign Exchange and Foreign Trade Law.  
 本図は「外国為替及び外匯管理法」に基きまして、外部に輸出する場合には明法に基づき許可を必要とします。 該社の事前の許可なく、その全部又は一部を開示する第三者にはならない。



- Suggestions for Floor Foundation Preparation
- 1) Use gravel stones to obtain a minimum soil bearing pressure of 49kPa (1024lbs/ft<sup>2</sup>).
  - 2) Use concrete with a minimum compressive strength of 17.7MPa (2560 PSI) and tensile strength of 1.8MPa (256 PSI).
  - 3) Take precautions so that there are no cracks in the concrete.
  - 4) 4 nos. whole anchors (marked #) should be positioned, drilled and set prior to set-up the machine.
  - 5) Use a vibration isolator (such as asphalt) around the foundation base.
  - 6) To reinforce the concrete, lay steel bars (19mm dia./3/4in. dia.) in the form of grid at a pitch of 150mm (5.91in.).
  - 7) Total volume of concrete 2.0m<sup>3</sup> (70.6ft<sup>3</sup>).
  - 8) Use a proprietary finish to the concrete surface to prevent water penetration and provide a smooth finish.
  - 9) This drawing to be read in conjunction with the general arrangement drawing to ensure there is sufficient space around the machine for maintenance.

SPECIFICATION OF UNIT		THIRD ANGLE PROJECTION			
UNIT No.	SD6761003CO	APP'D	CHK'D	DSGN	DRAWING
SPEC	VC-Ez 26 AUGER/50T-MG/DRY PIT	121021	121021	121021	121021
		K.N	J.W	K.N	T.-Y.Y
		SCALE	NAME		
		1:12	VC-Ez 26		
		(1:3)	FOUNDATION DRAWING		
		DRAWING NO.	0	D67	61 AC16 0