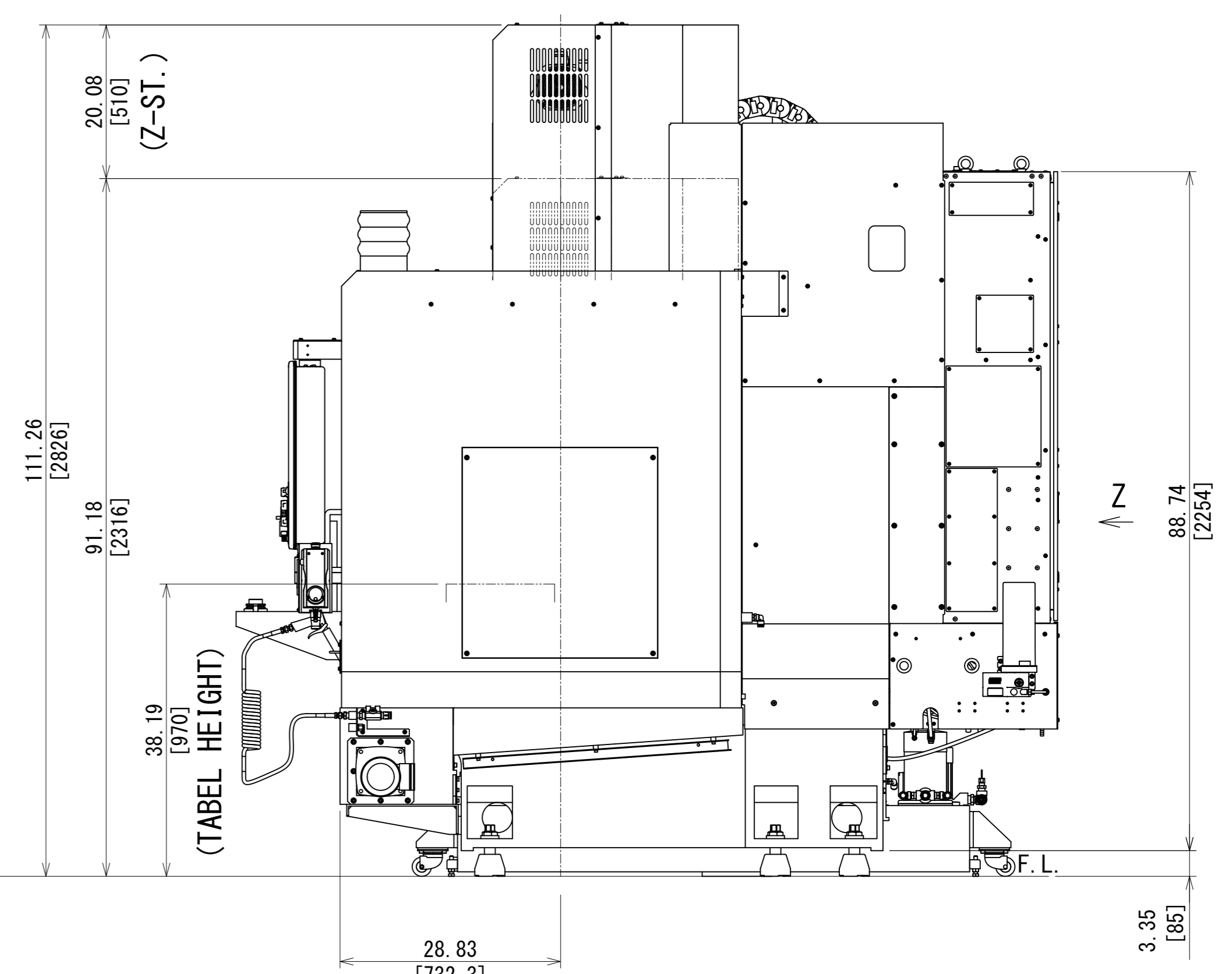
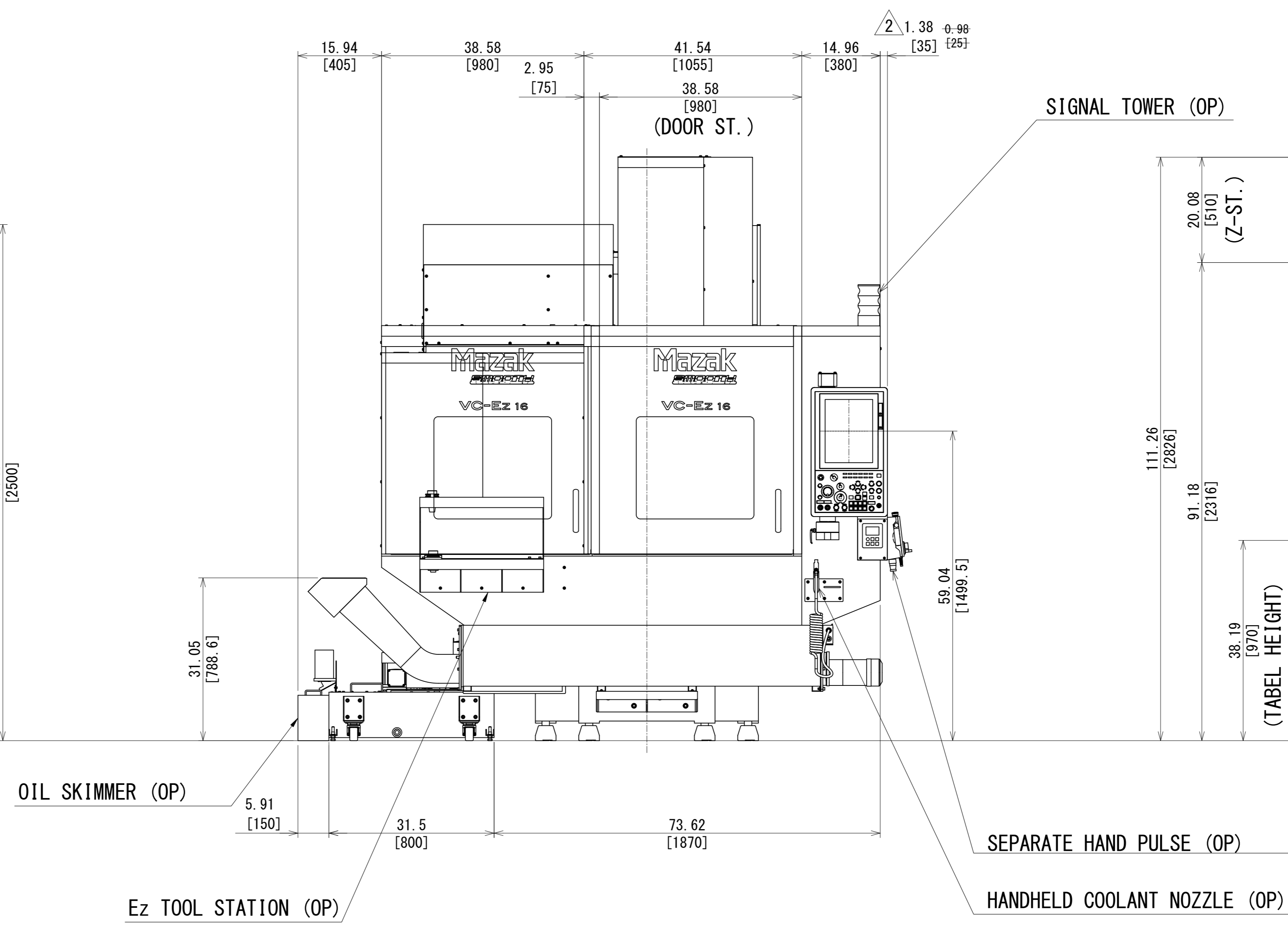
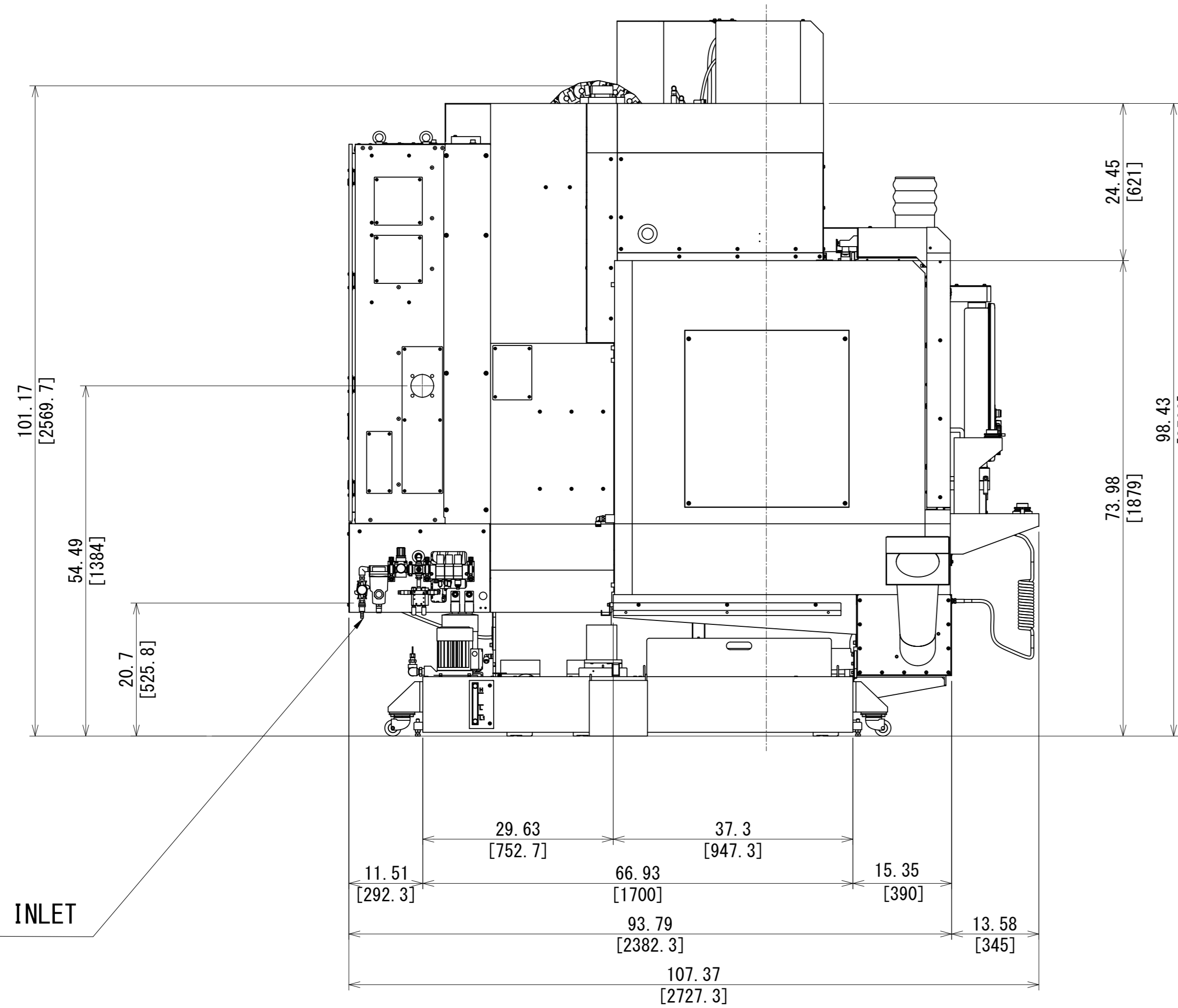
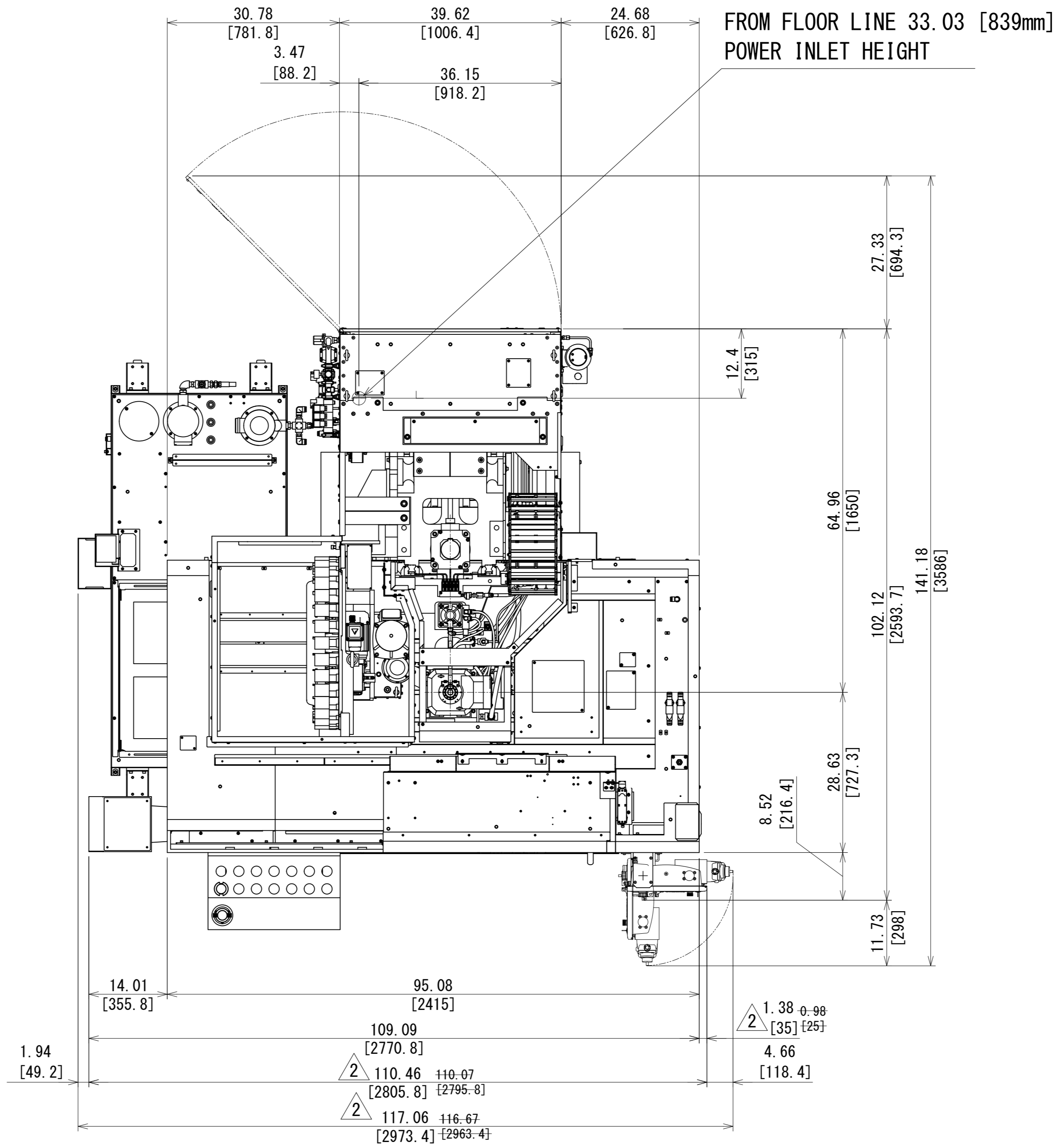


Z



Inch

[mm]

THIS IS REDRAWN

THIRD ANGLE PROJECTION			
APP' D	CHK' D	DSGN	DRAWING
022222	022222	022222	022222
K. N	JVM	K. N	M-R. T
SCALE		NAME	
1:14		量産 VC-Ez 16 30T オーガコンベヤ仕様全体図	
05/04/2023		D65049M00 M-K. S	
09/22/2022		D66003M00 T-K. S	
QTY	DATE	DC NO.	SIGN
0	D66	TV	C038 2