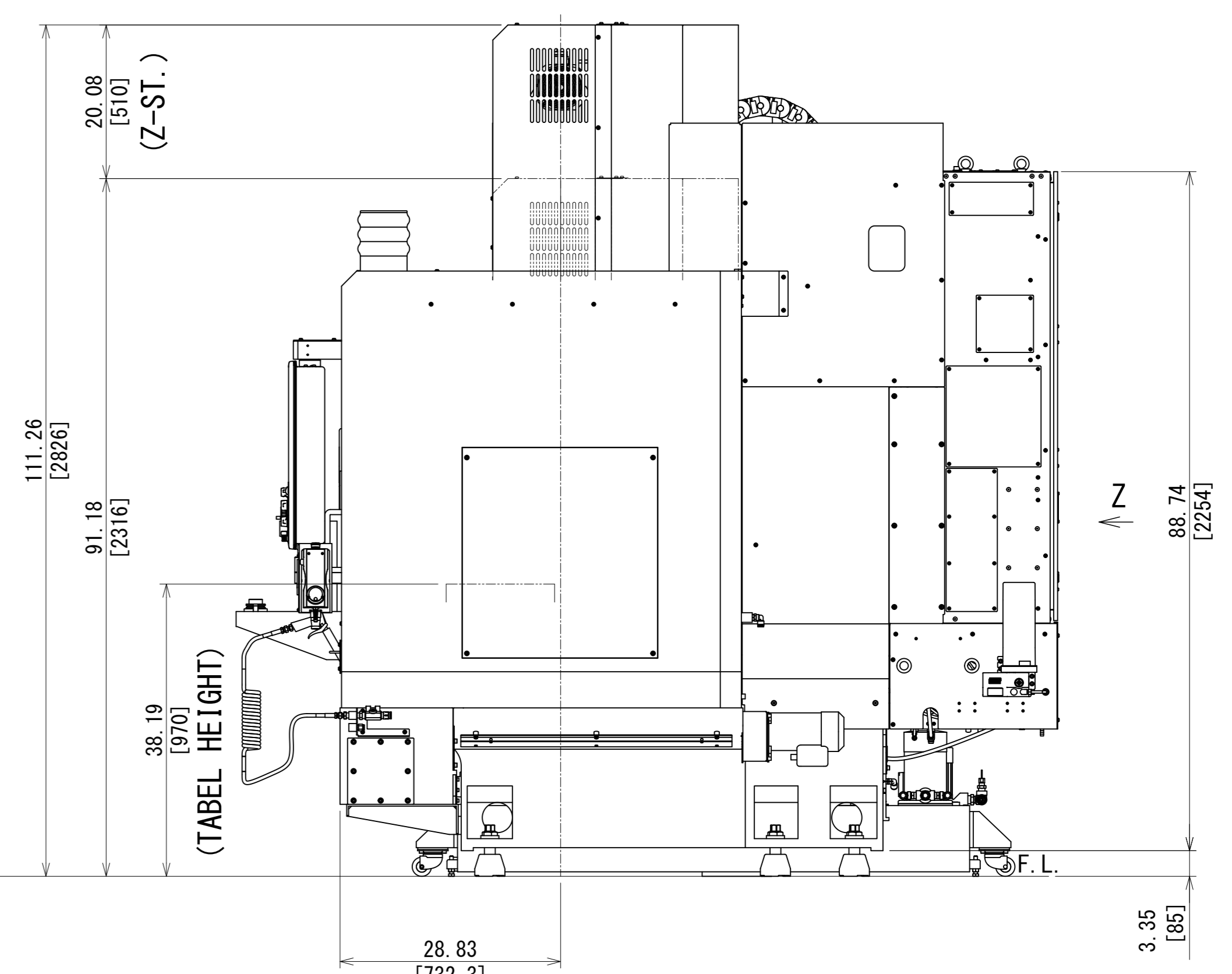
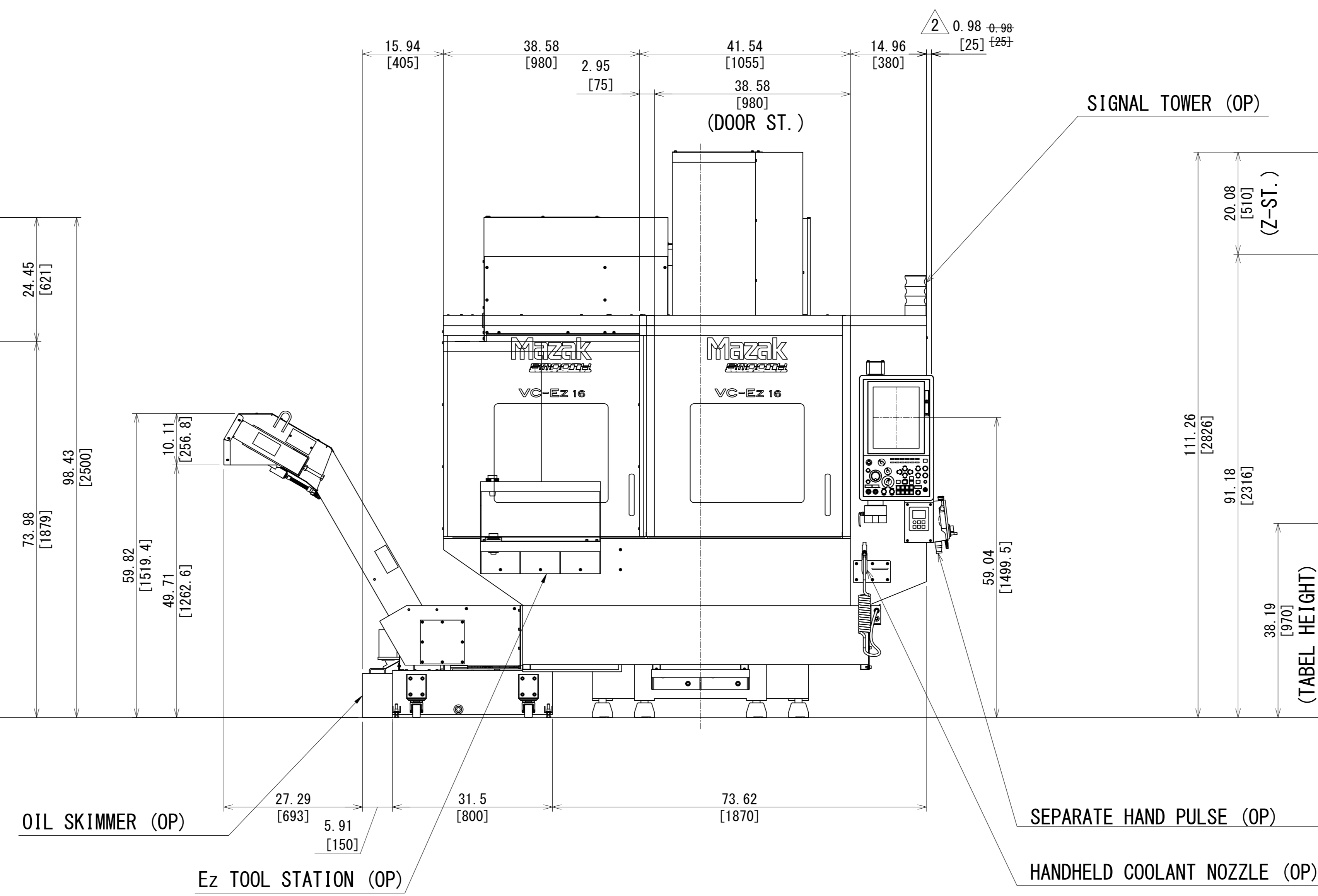
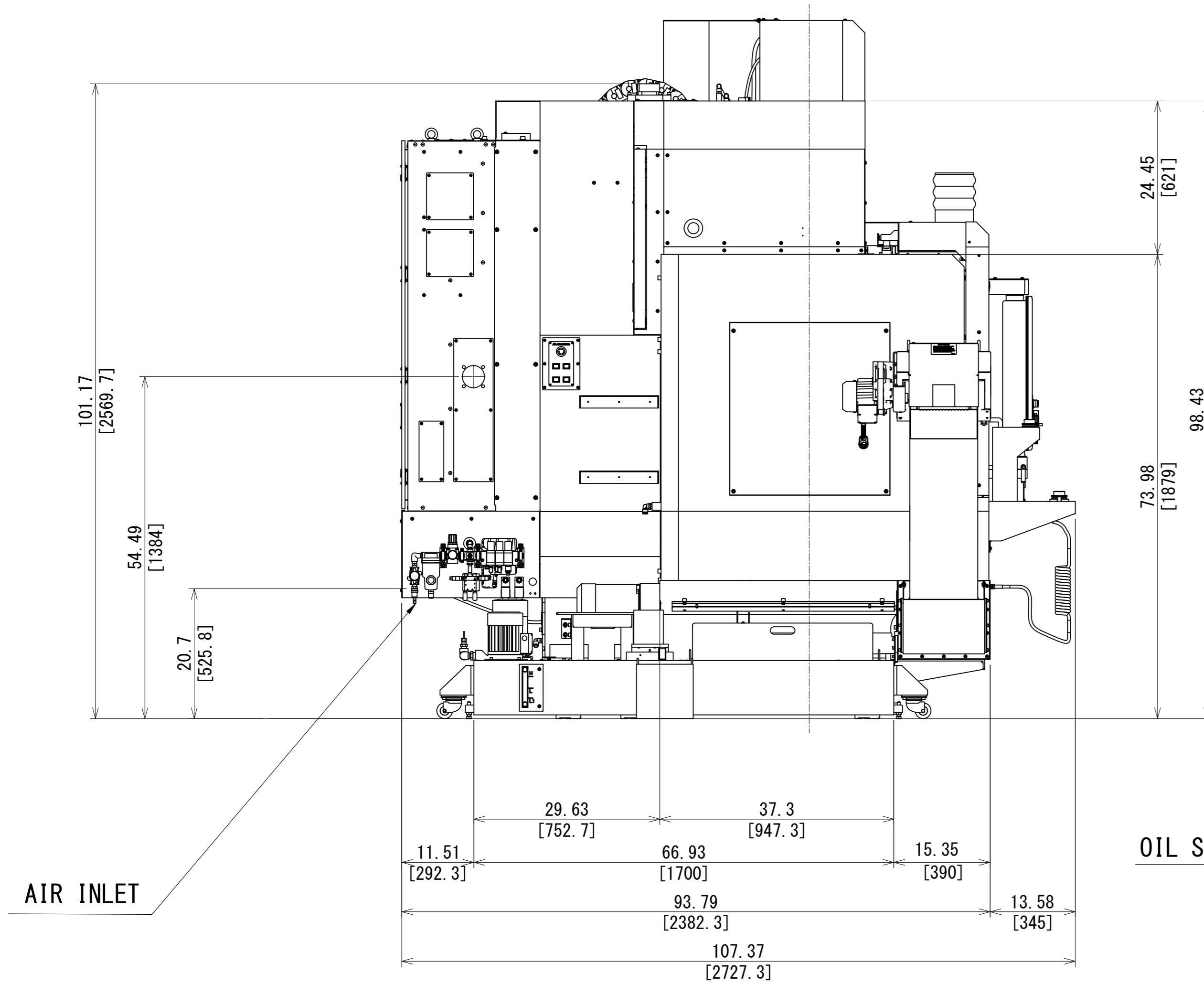
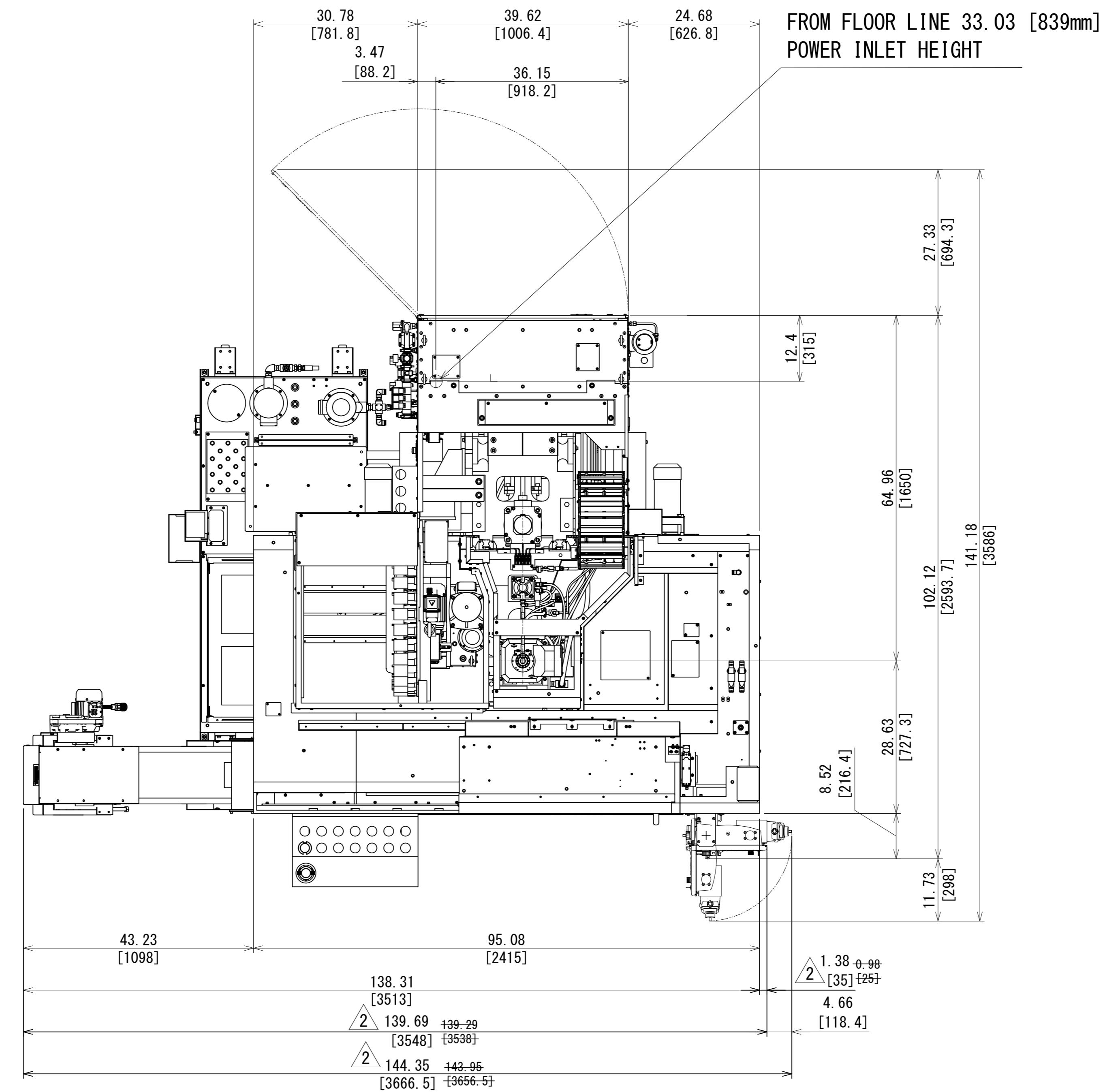


Z



Inch
[mm]

THIS IS REDRAW

THIRD ANGLE PROJECTION			
9	8	7	6
APP' D	CHK' D	DSGN	DRAWING
022222	022222	022222	022222
K. N	JVM	K. N	M-R. T
SCALE	NAME		
1:14	生産 VC-Ez 16 30T MGドア ヒンジコンベア仕様全図		
05/05/2023	D65049M00	M-K. S	1:14
09/22/2022	D66003M00	T-K. S	生産 VC-Ez 16 30T MG DOOR HINGE CONVEYOR TOTAL VIEW DRAWING
QTY	DATE	DC NO.	SIGN
0	D66	TV	C042 2