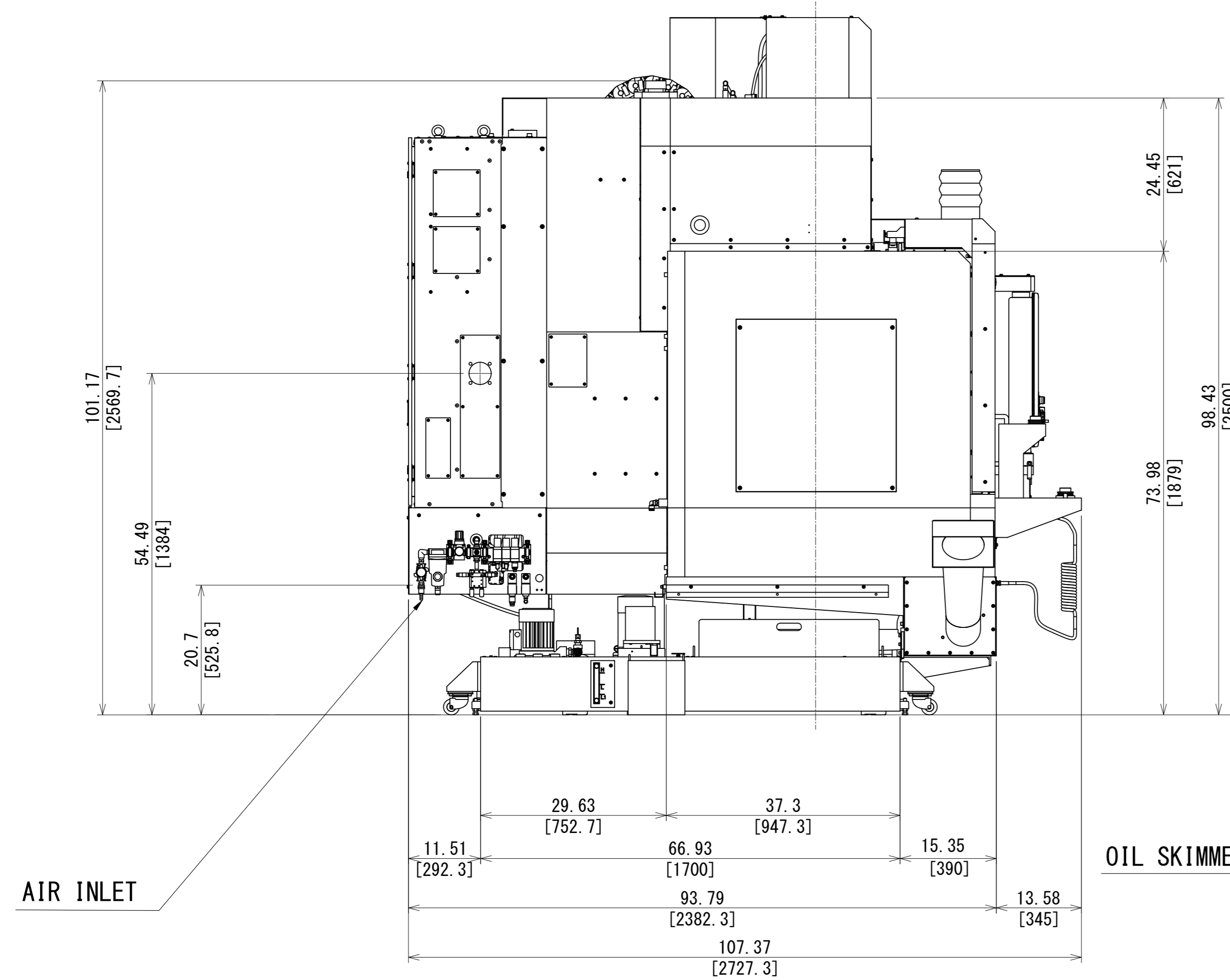
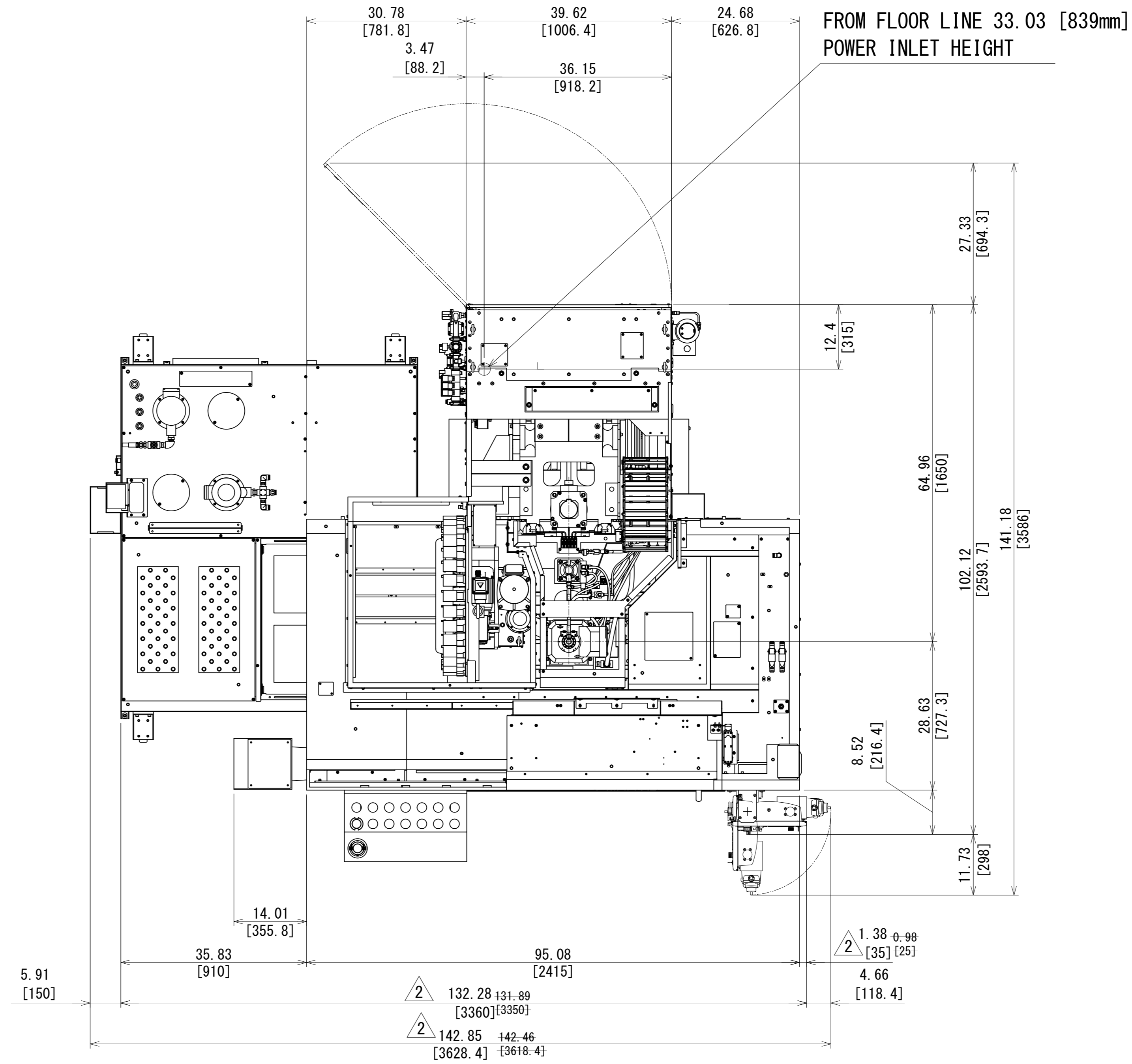
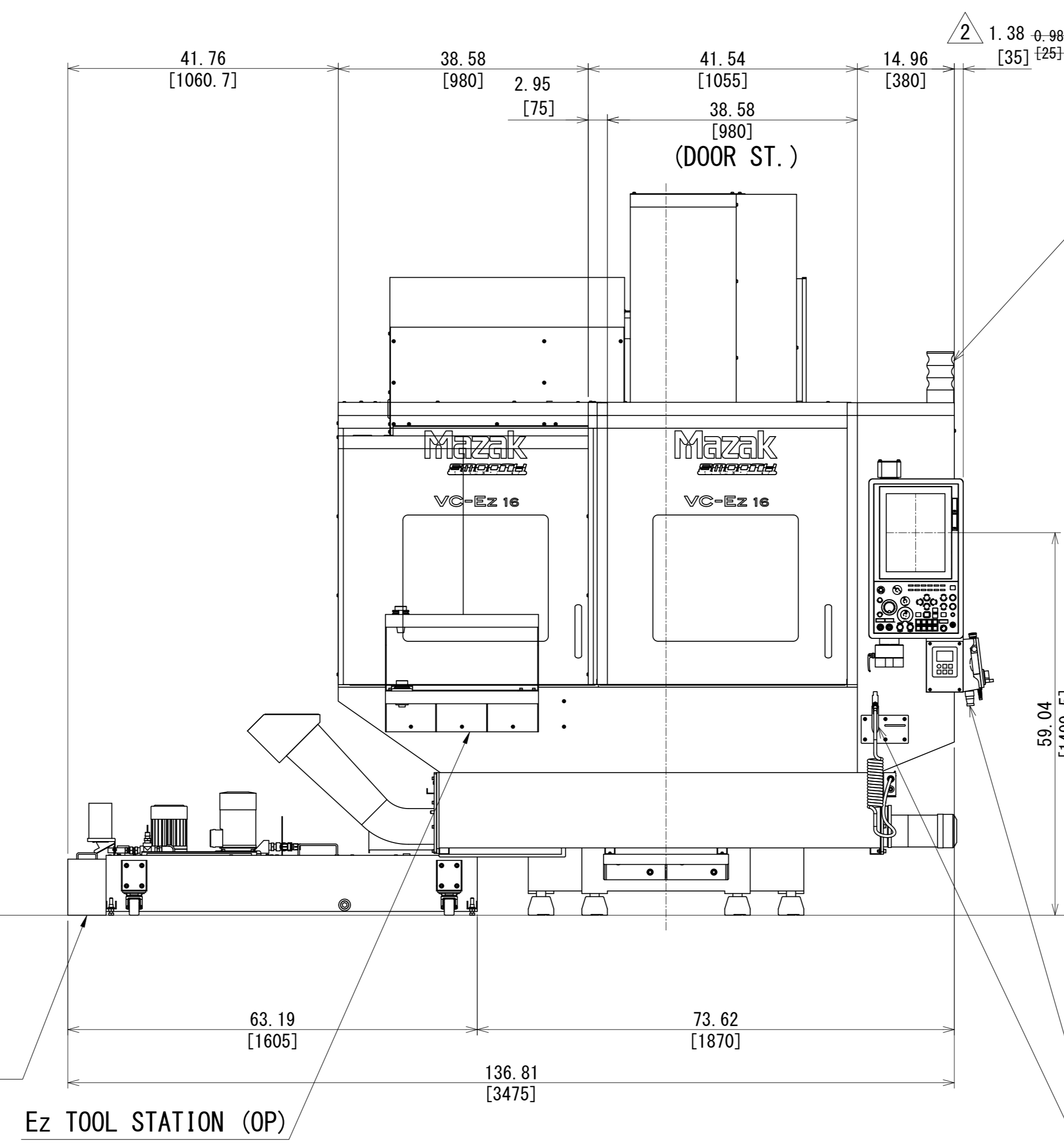


Z



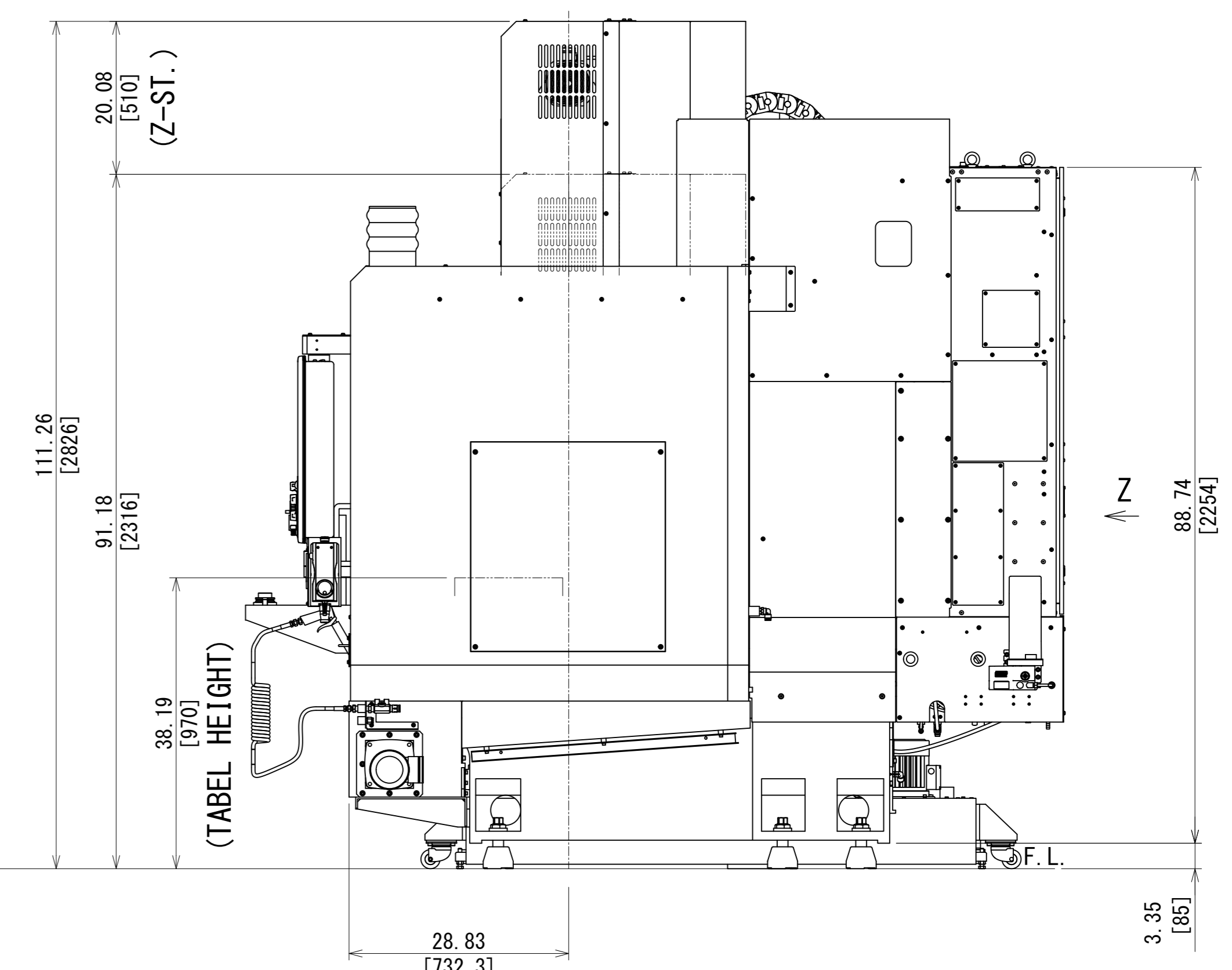
OIL SKIMMER (OP)



SIGNAL TOWER (OP)

SEPARATE HAND PULSE (OP)

HANDHELD COOLANT NOZZLE (OP)



THIS IS REDRAWN

Inch [mm]

THIRD ANGLE PROJECTION			
APP' D	CHK' D	DSGN	DRAWING
022222	022222	022222	022222
K. N	JVM	K. N	M-R. T
SCALE		NAME	
1:14		量産 VC-Ez 16 30T 95gal タンク オーガコンベヤ仕様	
DATE		DRAWING NO.	
09/22/2022	D66003M00	0 D66 TV C044 2	
DC NO.	SGN	INCH/METRIC	
		0 1 2 3 4 5 10	