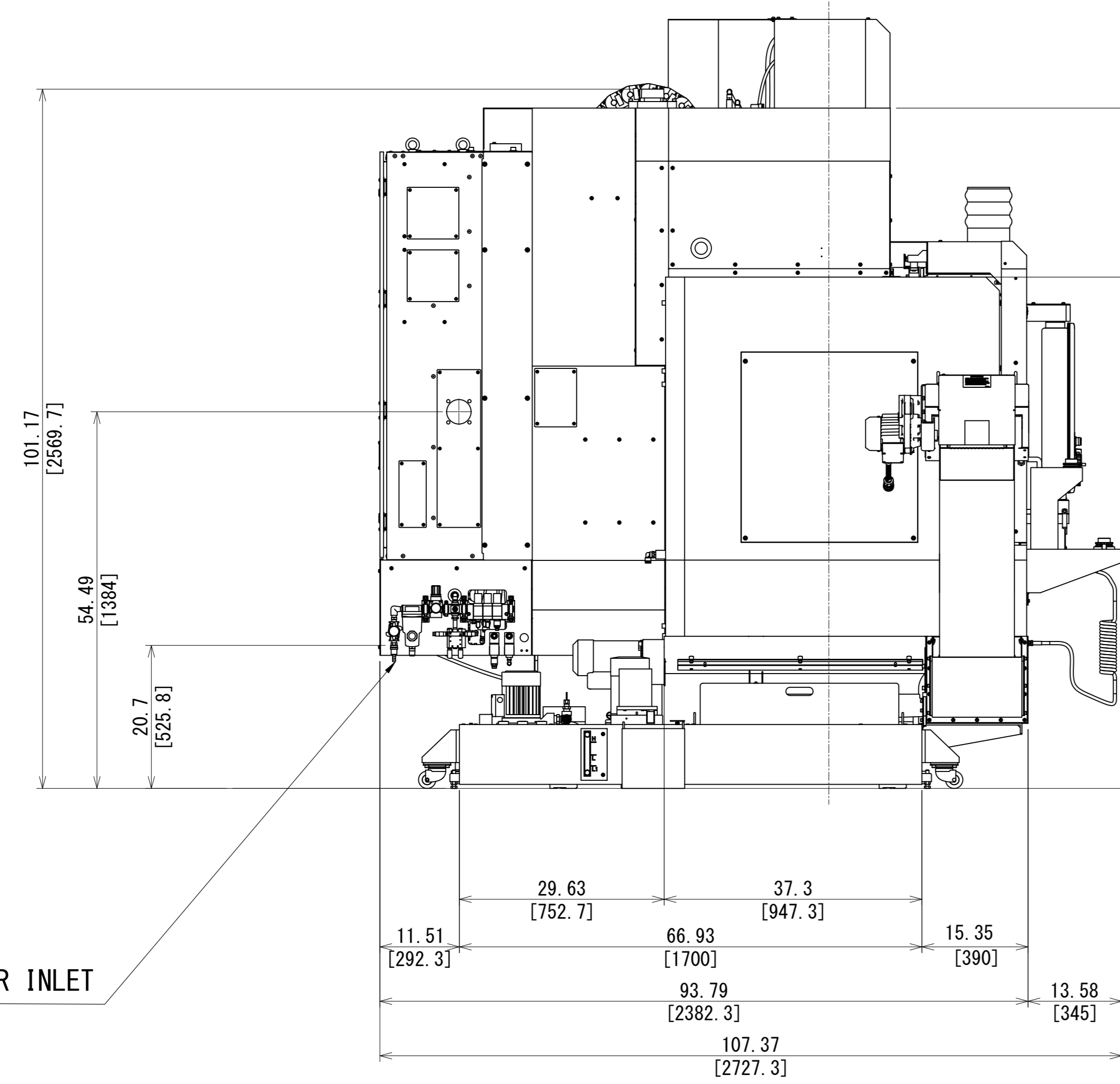
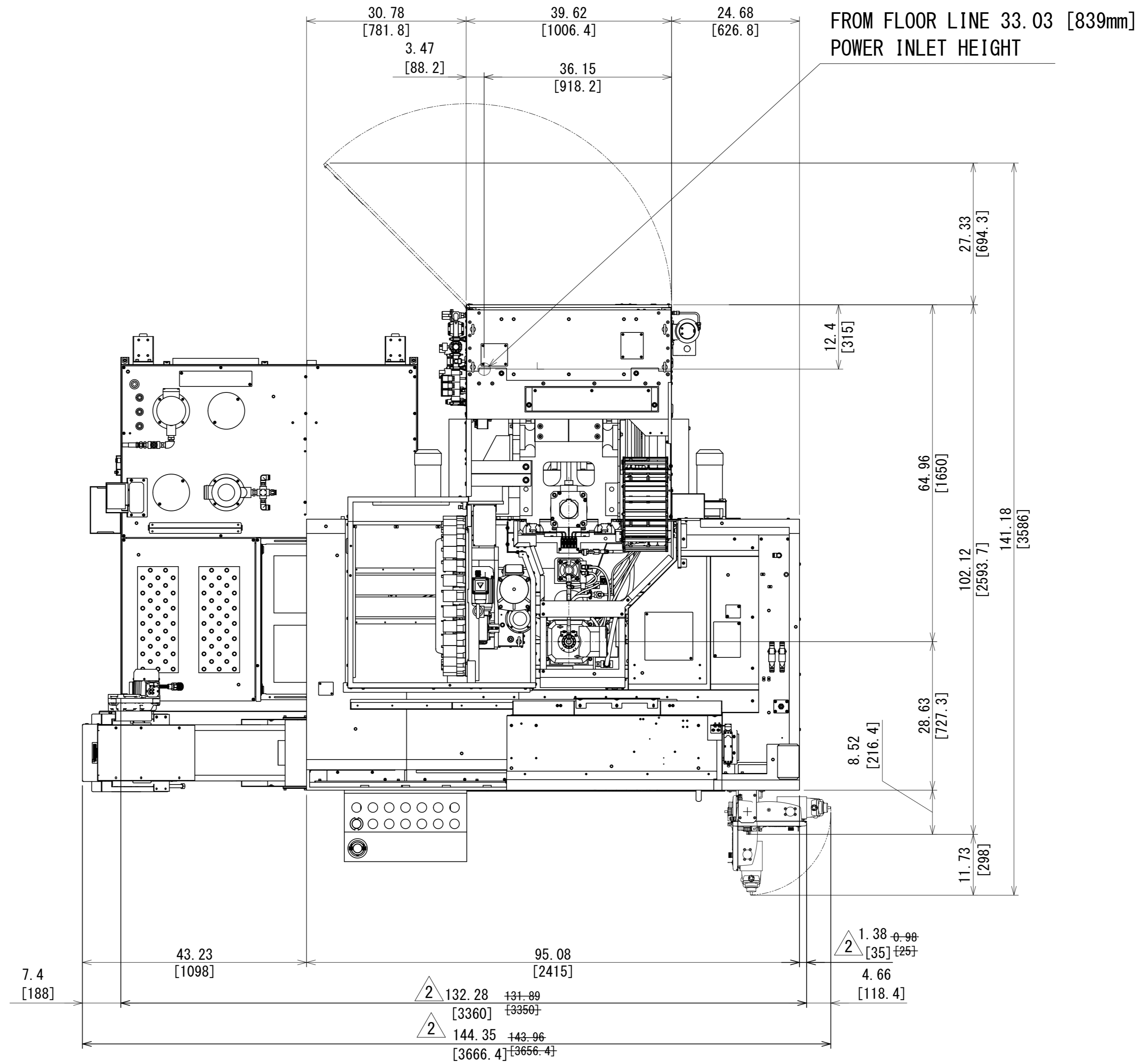
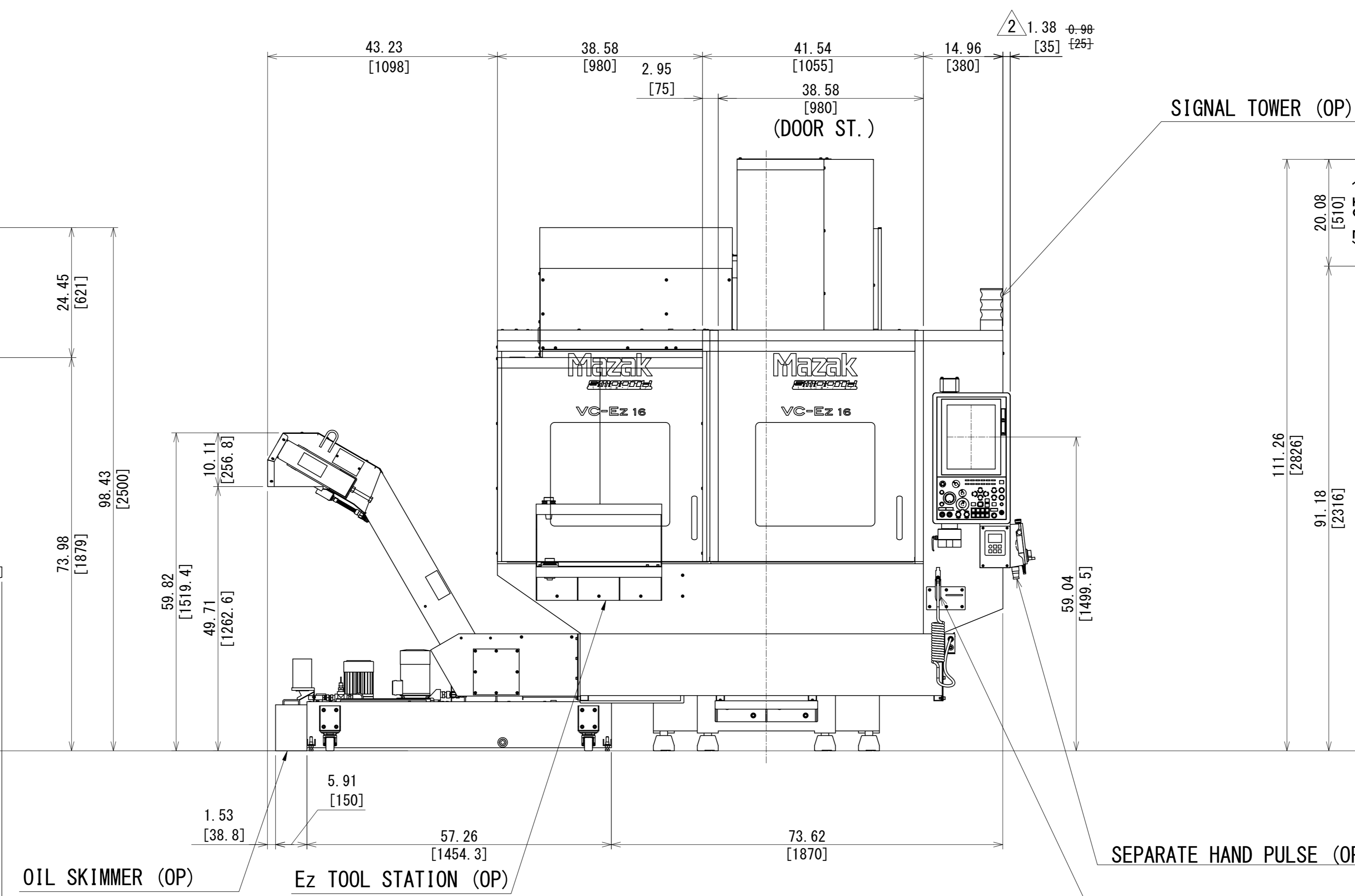


Z



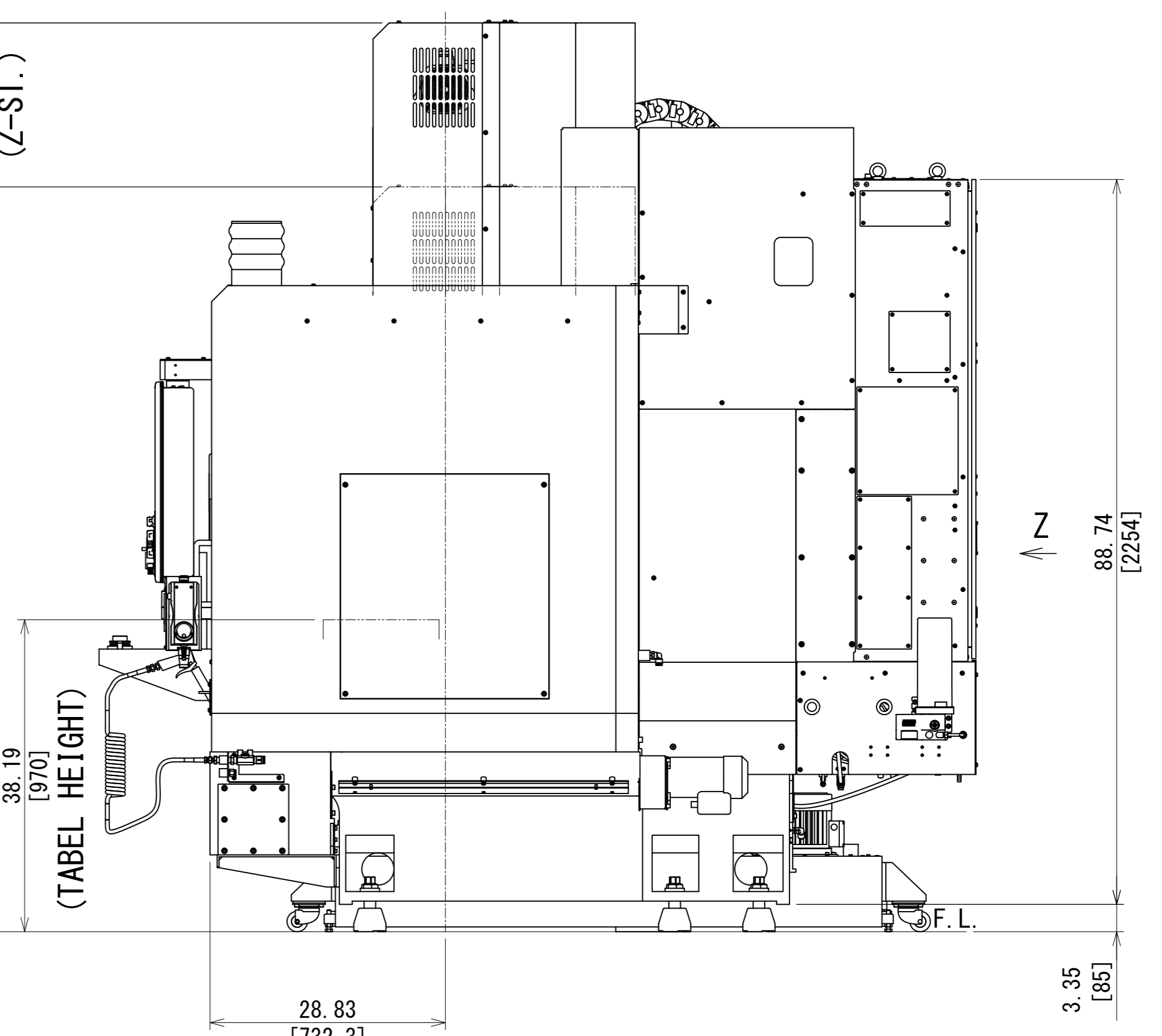
AIR INLET



SIGNAL TOWER (OP)

SEPARATE HAND PULSE (OP)

HANDHELD COOLANT NOZZLE (OP)



Z

Inch [mm]

THIS IS REDRAW

| THIRD ANGLE PROJECTION | | | |
|------------------------|------------|-------------------------------------|---------|
| APP' D | CHK' D | DSGN | DRAWING |
| 022222 | 022222 | 022222 | 022222 |
| K. N | JVM | K. N | M-R. T |
| SCALE | | NAME | |
| 1:14 | | 量産 VC-Ez 16 30T 95gal タンク ホンジコンベア仕様 | |
| 05/05/2023 | | D65049M00 M-K. S | |
| 09/22/2022 | | D66003M00 T-K. S | |
| QTY | DATE | DC NO. | SIGN |
| 1 | 09/22/2022 | D66003M00 | T-K. S |
| DRAWING NO. | | 0 D66 TV C045 2 | |

