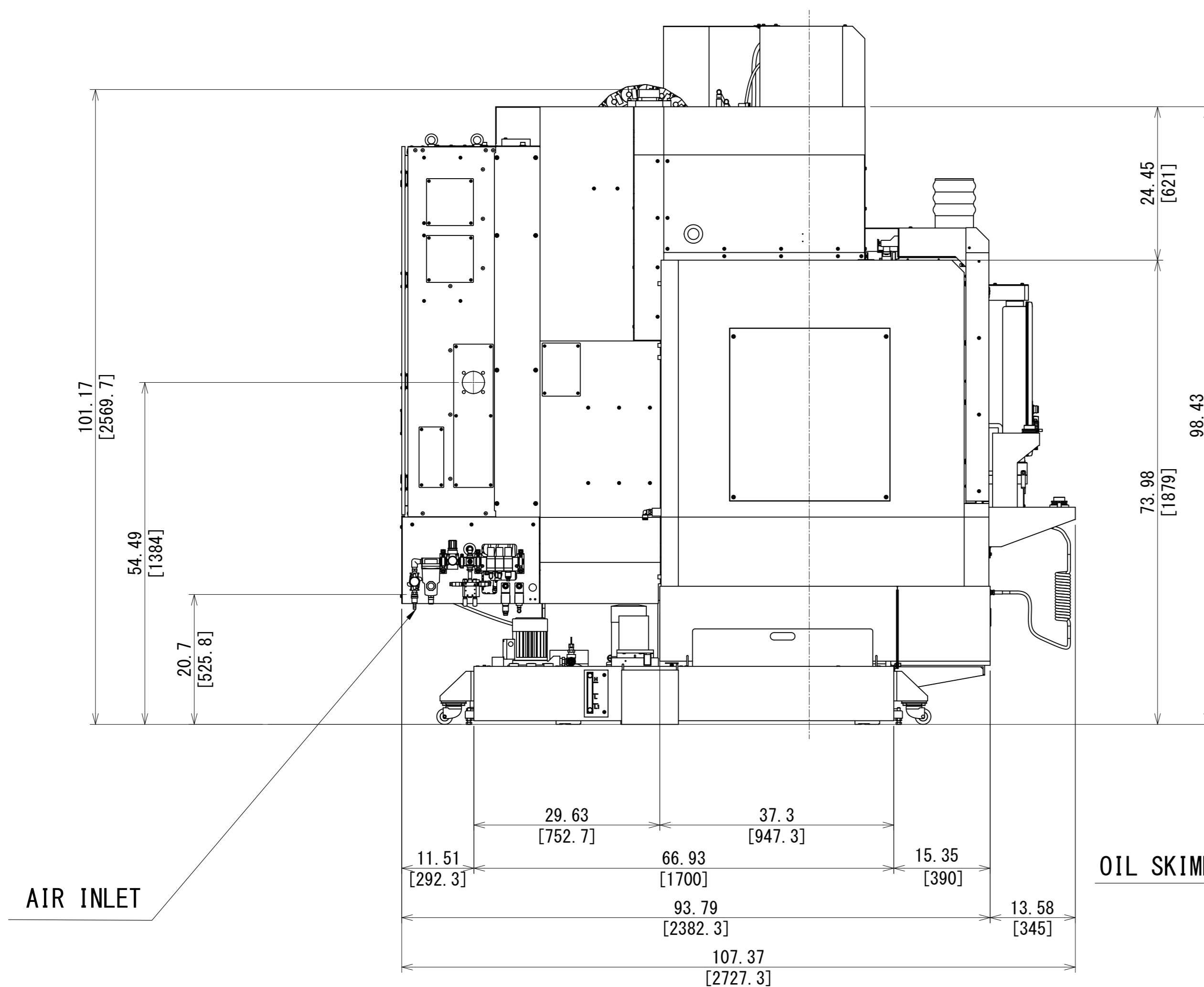
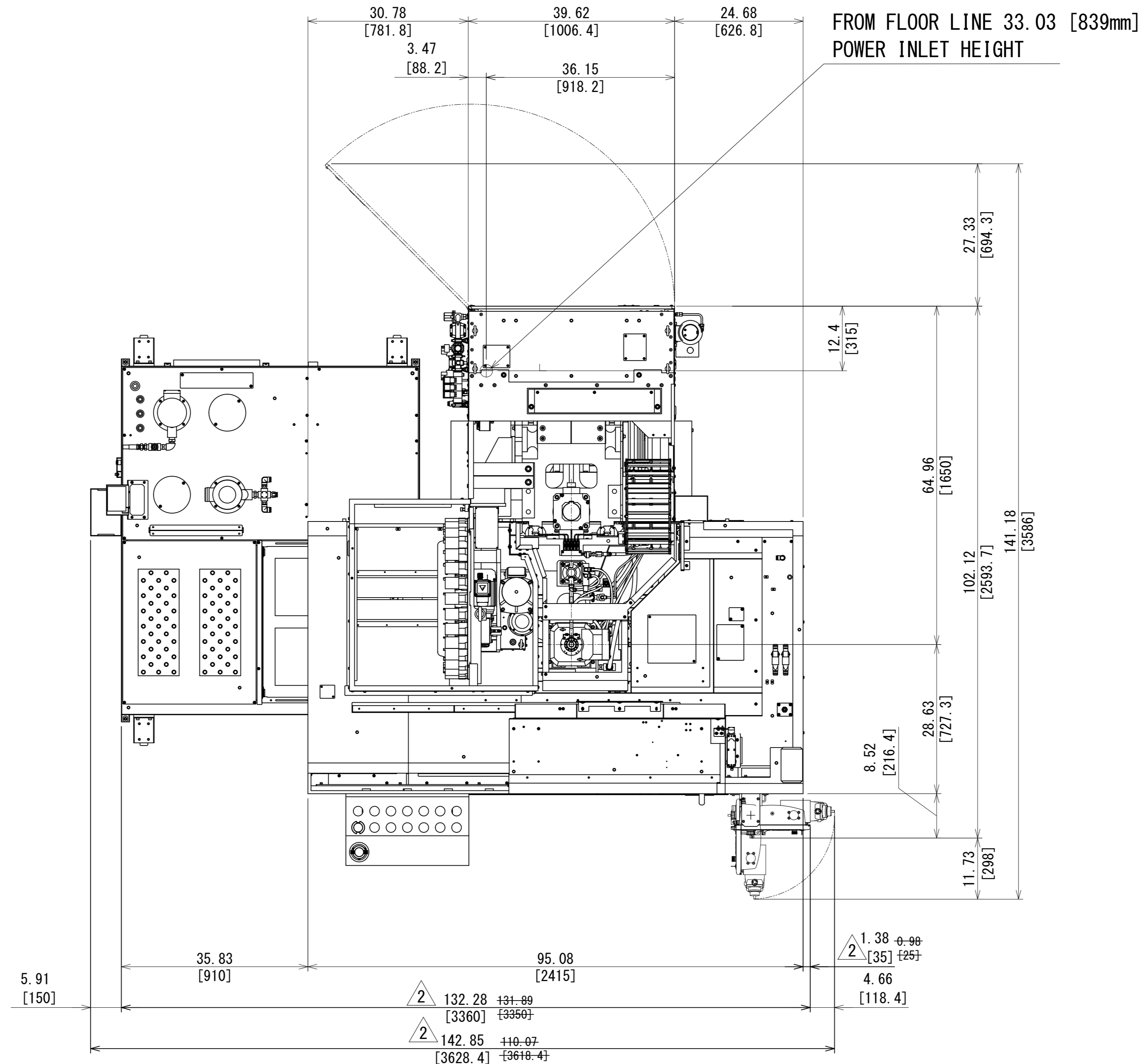
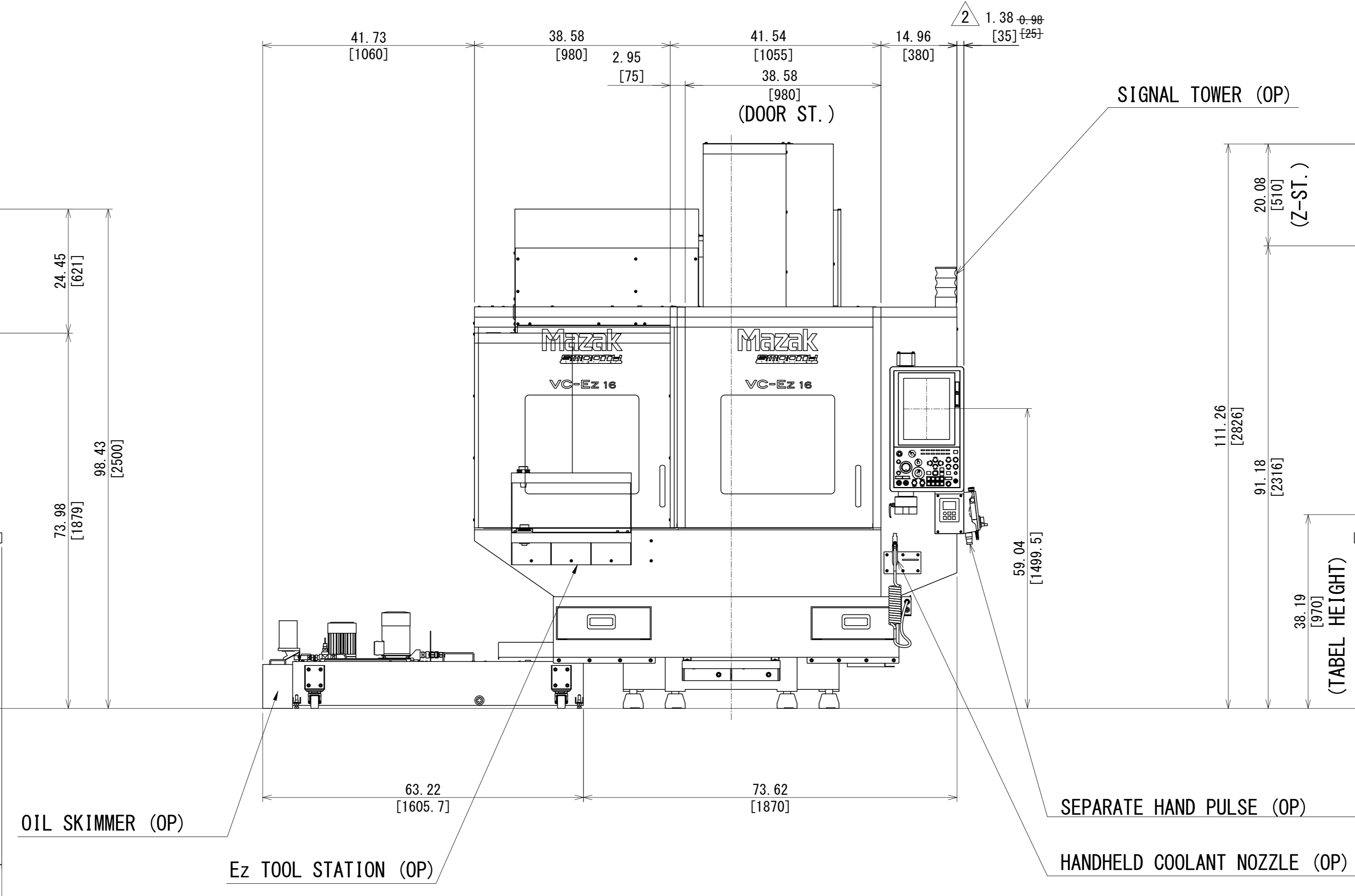


Z



AIR INLET



OIL SKIMMER (OP)

Ez TOOL STATION (OP)

SEPARATE HAND PULSE (OP)

HANDHELD COOLANT NOZZLE (OP)

SIGNAL TOWER (OP)

THIS IS REDRAWN				THIRD ANGLE PROJECTION			
APP' D	CHK' D	DSGN	DRAWING	APP' D	CHK' D	DSGN	DRAWING
022222	022222	022222	022222	022222	022222	022222	022222
K. N	JVM	K. N	M-R. T	K. N	JVM	K. N	M-R. T
SCALE				NAME			
1:14				量産 VC-Ez 16 30T 95gal タンク バケツ仕様全図			
0 05/05/2023 D65049M00 T-K. S				MASS VC-Ez 16 30T 95gal TANK BUCKET TOTAL VIEW DRAWING			
1 09/22/2022 D66003M00 T-K. S				DRAWING NO. 0 D66 TV C043 2			
QTY	DATE	DC NO.	SIGN	DRAWING NO.			

Inch [mm]