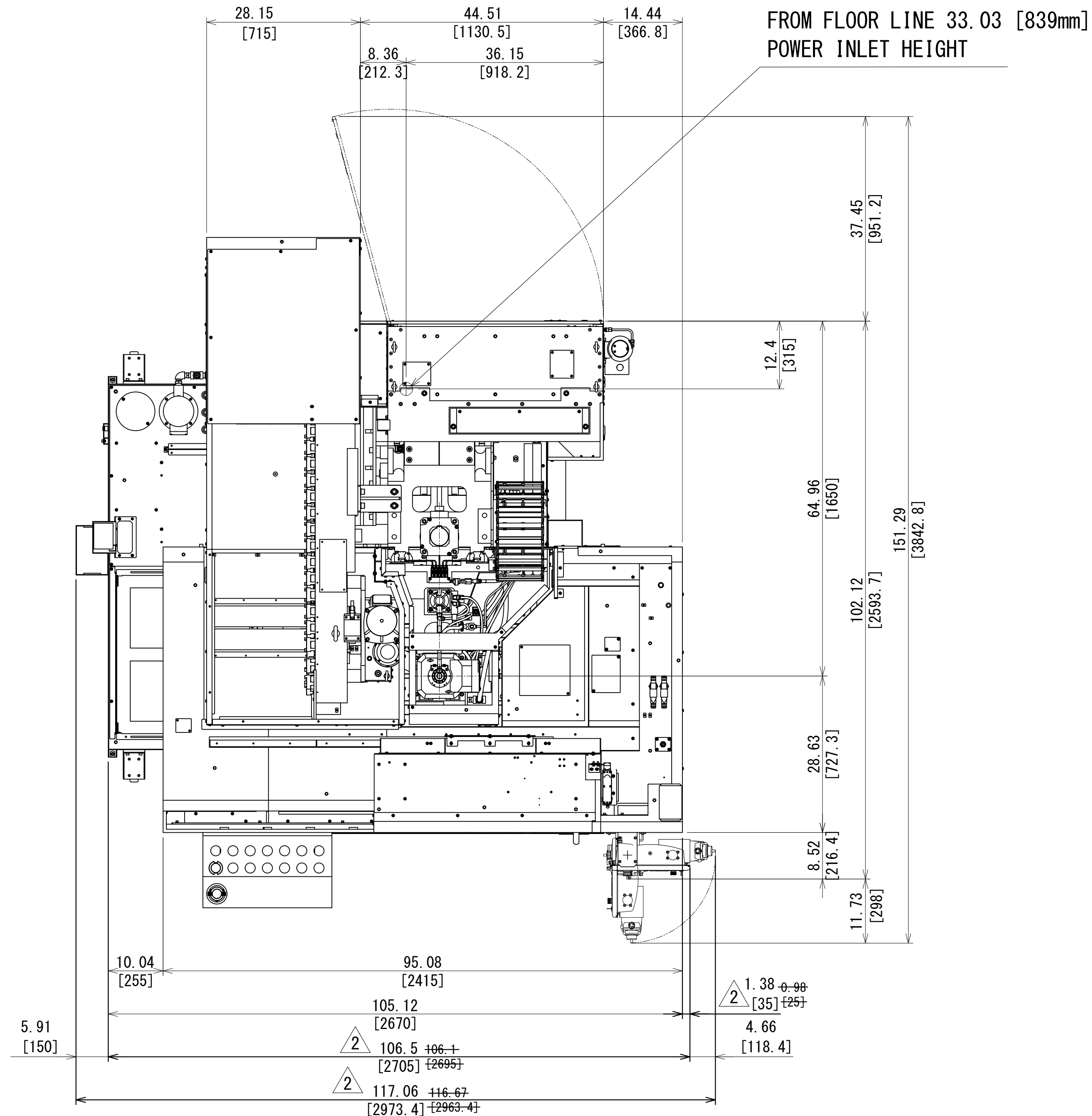
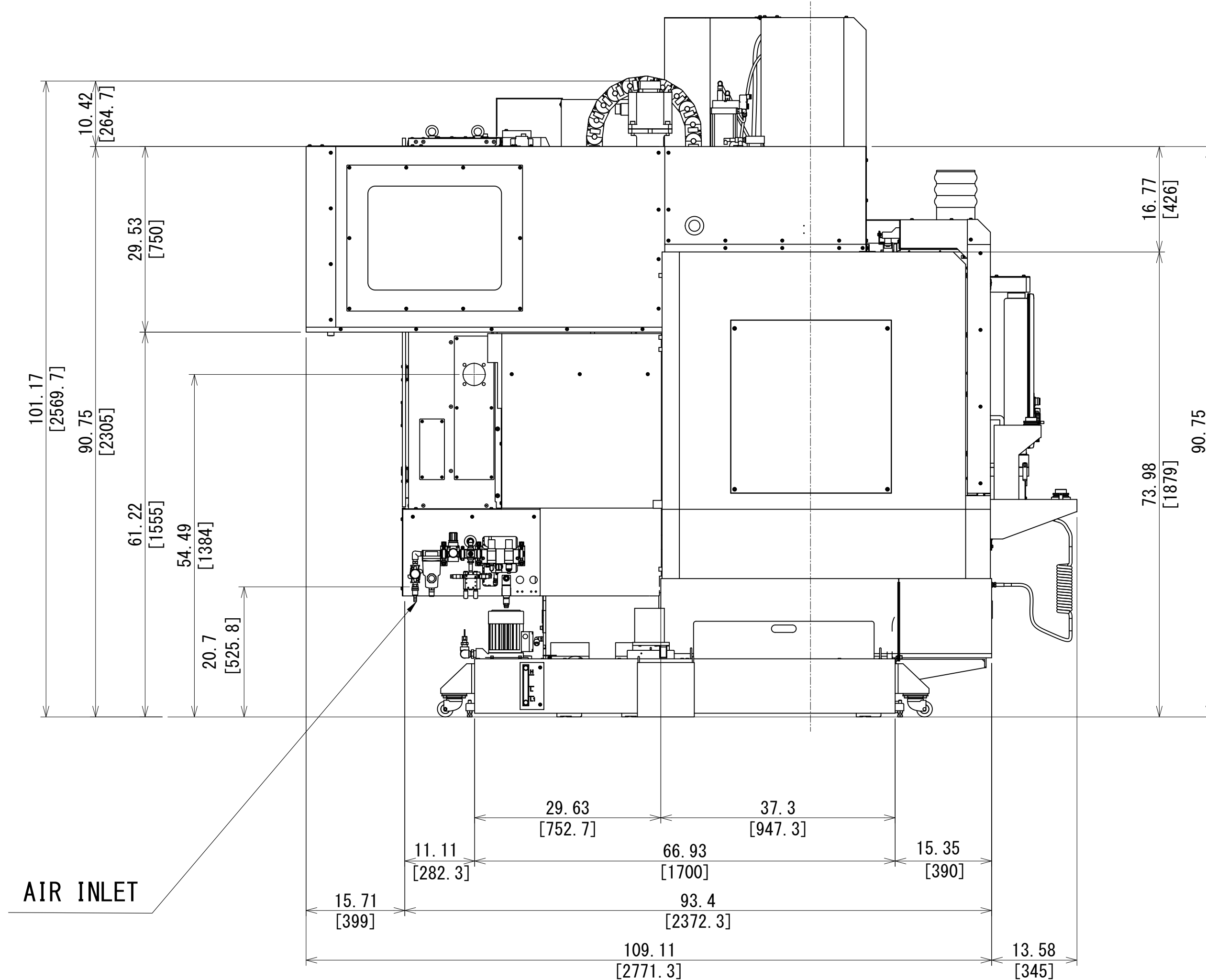


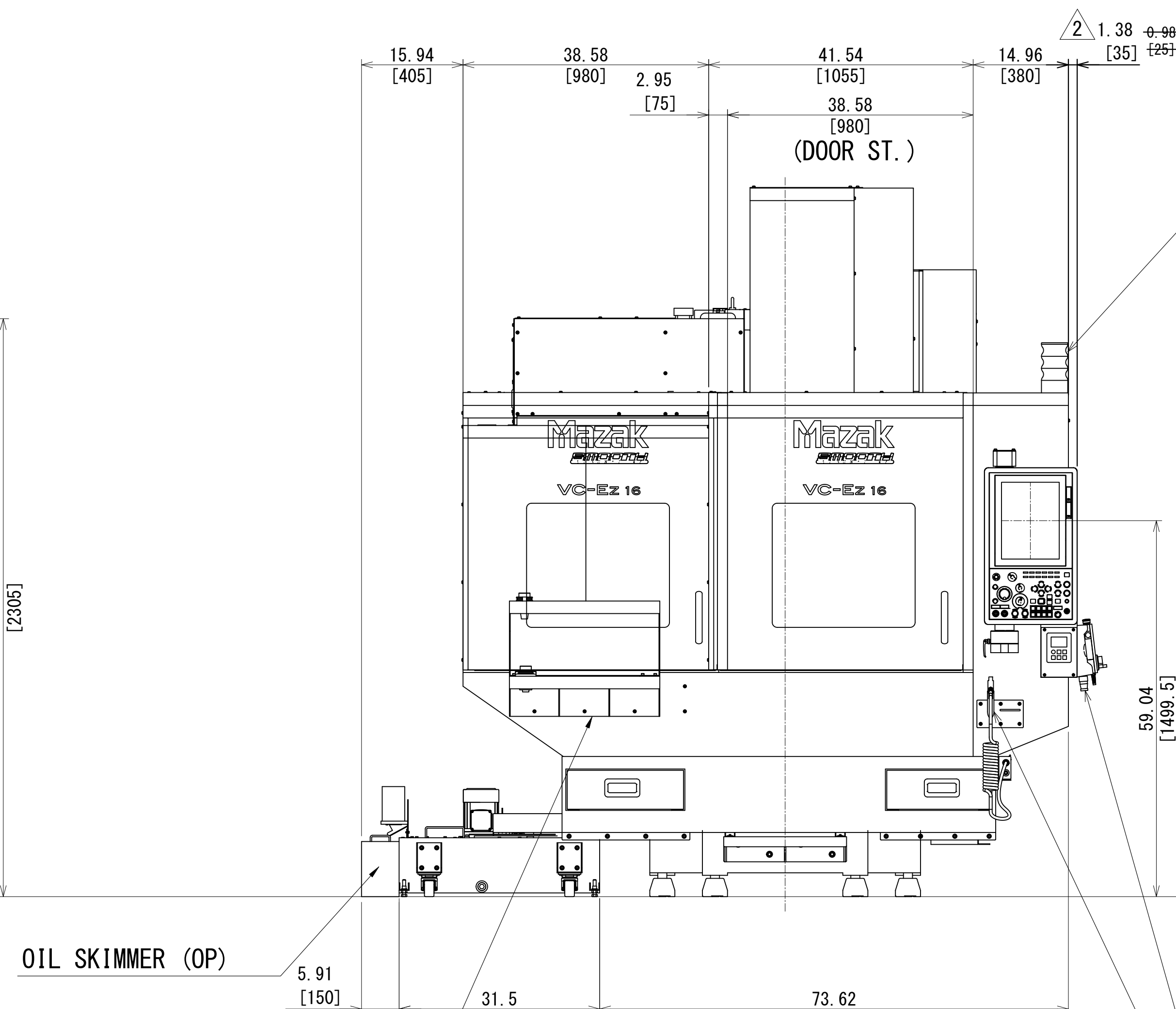
Z



FROM FLOOR LINE 33.03 [839mm]
POWER INLET HEIGHT

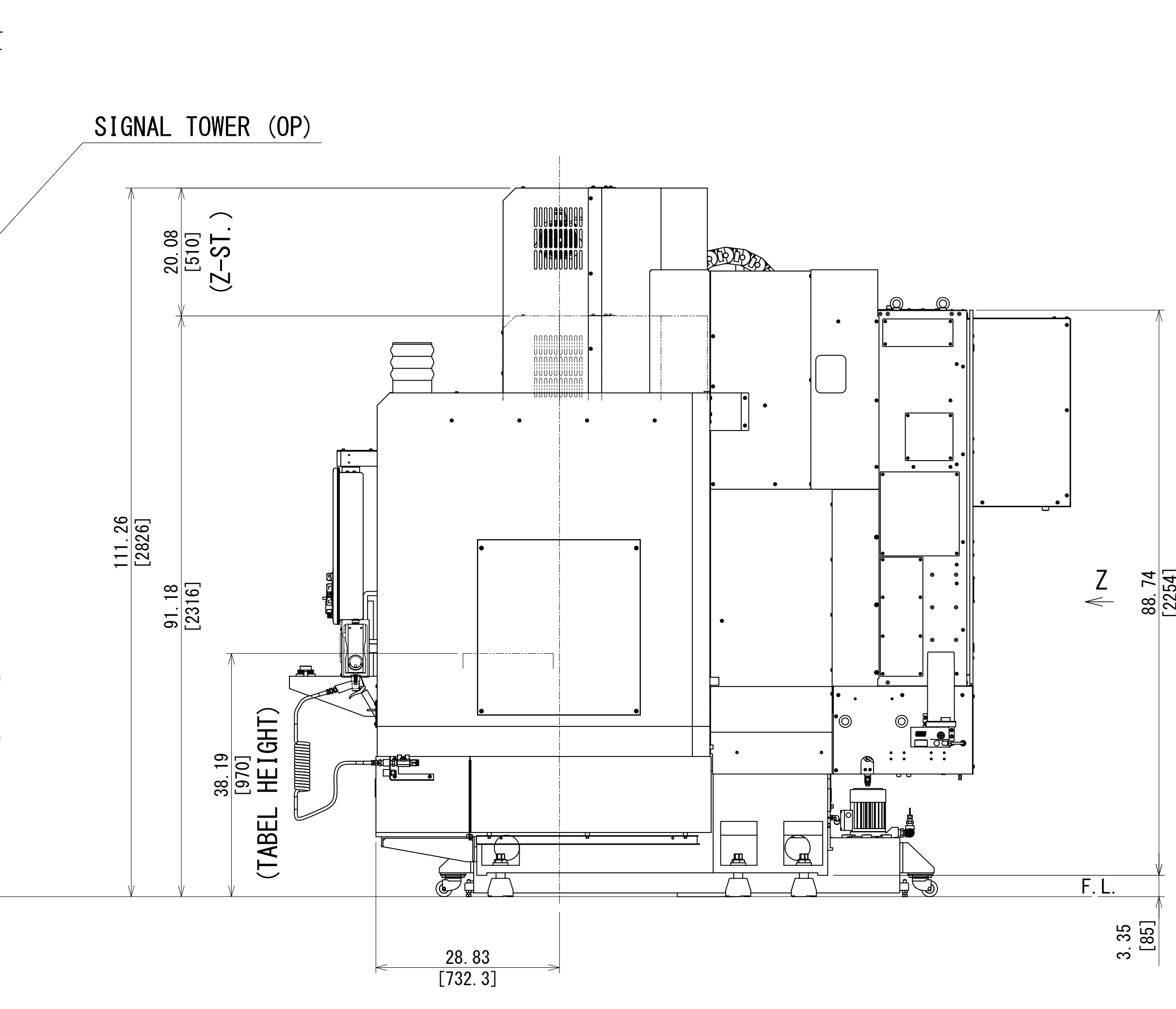


AIR INLET



OIL SKIMMER (OP)

Ez TOOL STATION (OP)



SIGNAL TOWER (OP)

SEPARATE HAND PULSE (OP)

HANDHELD COOLANT NOZZLE (OP)

THIS IS REDRAWN

Inch
[mm]

THIRD ANGLE PROJECTION			
APP' D	CHK' D	DSGN	DRAWING
021922	021922	021922	021922
K. N	JVM	K. N	M-K. S
SCALE		NAME	
1:14		量産 VC-Ez 16 50T バケツ仕様全体図	
05/09/2023		D65049M00 M-K. S MASS VC-Ez 16 50T BUCKET TOTAL VIEW DRAWING	
09/22/2022		D66003M00 T-K. S	
QTY	DATE	DC NO.	SIGN
0	D66	TV	C049 2