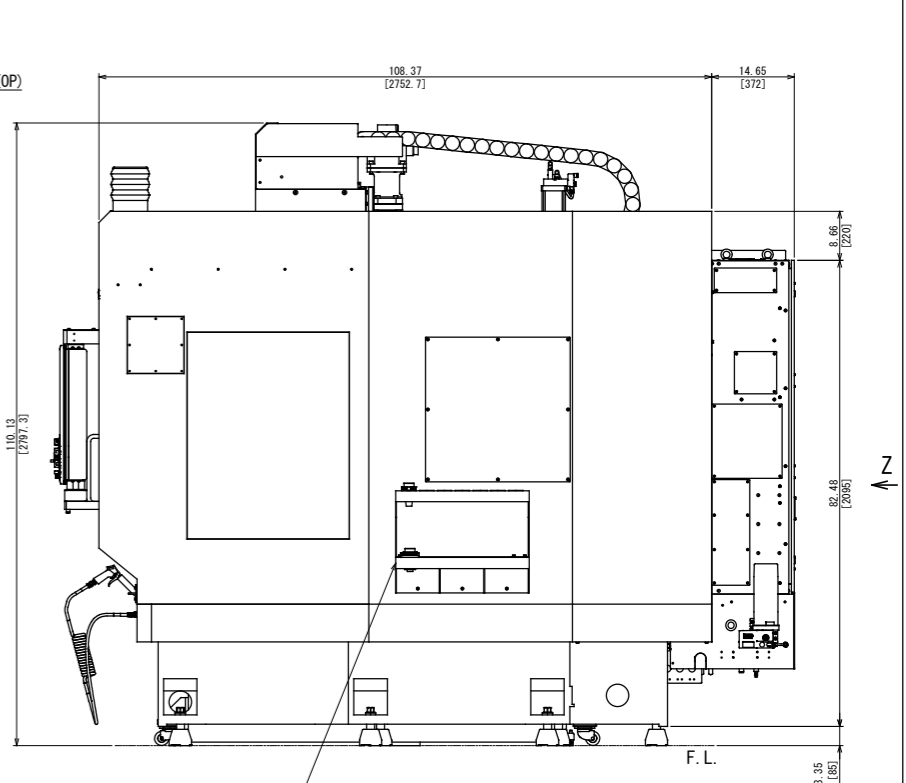
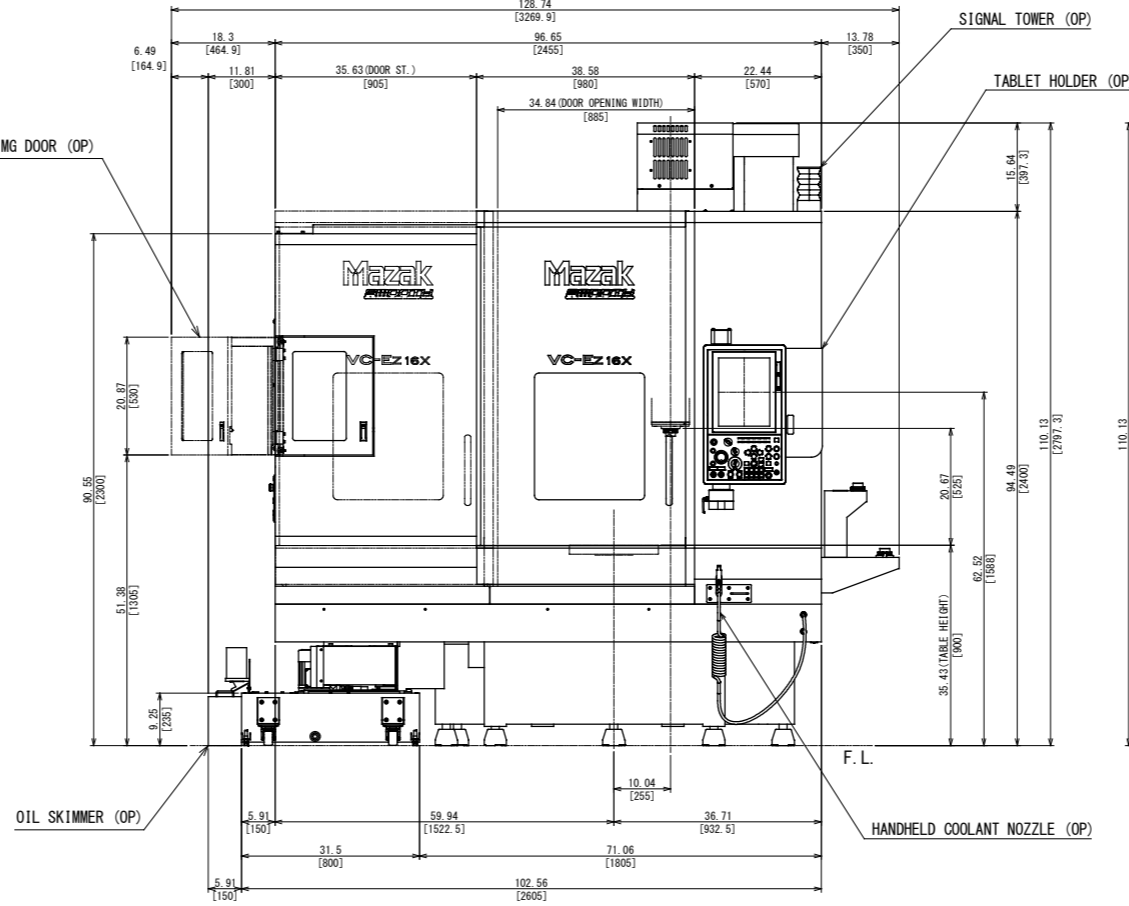
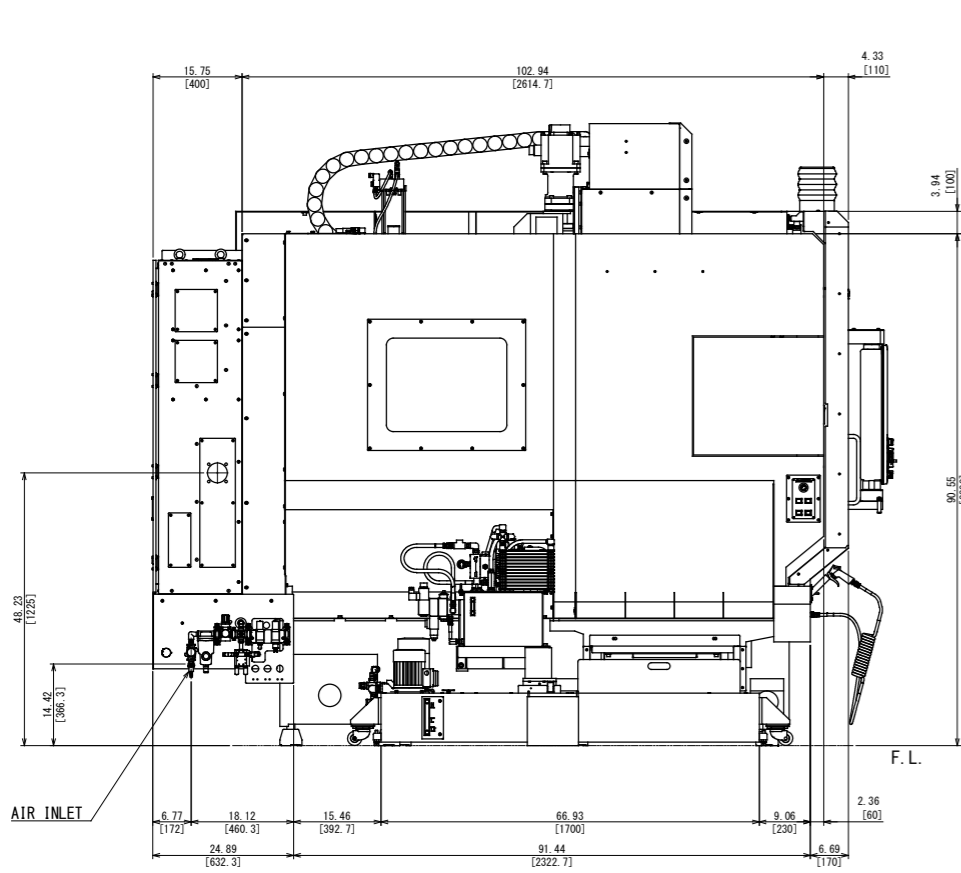
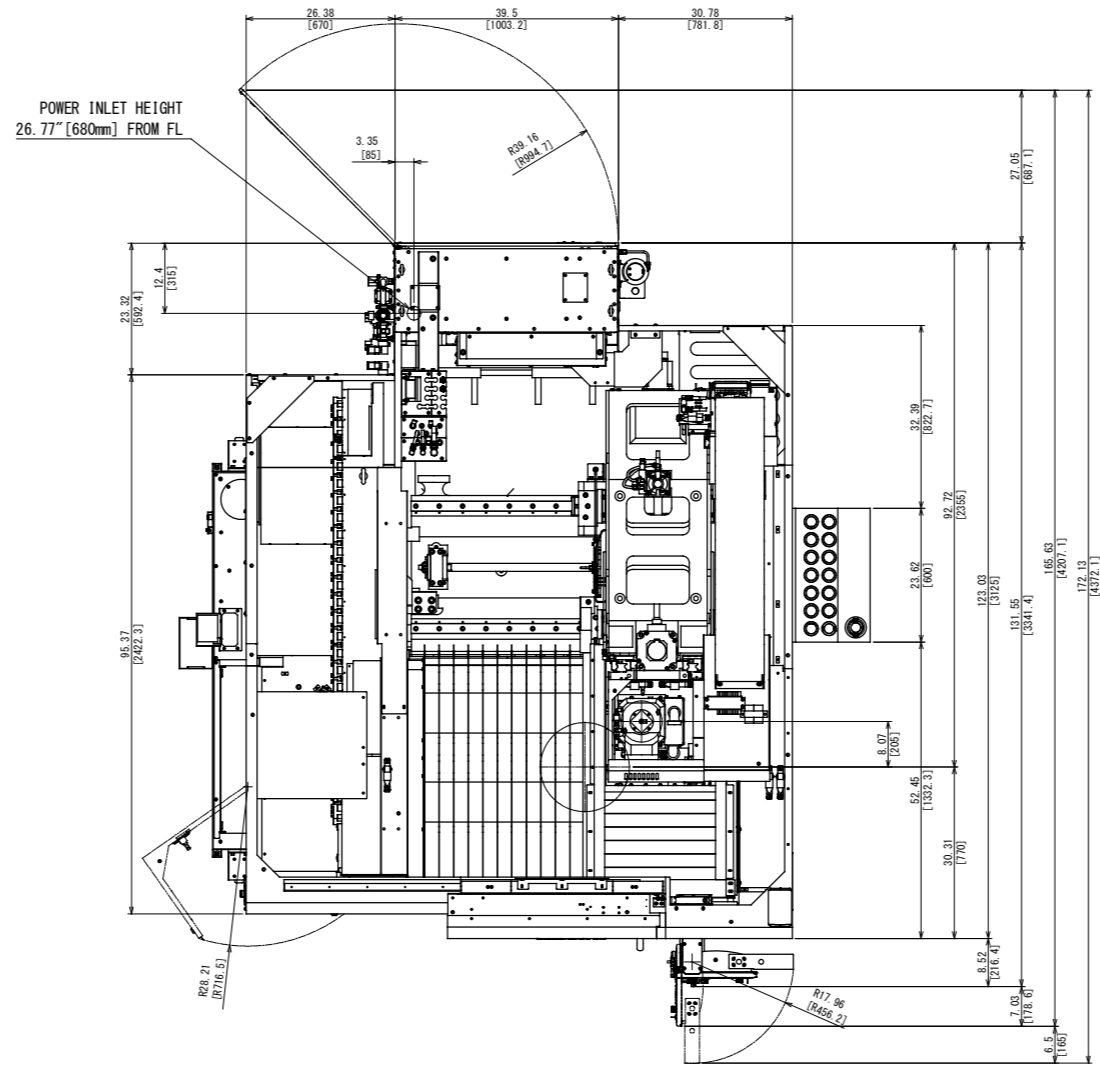


Z



THIS IS REDRAWN

Inch [mm]

THIRD ANGLE PROJECTION			
APP'D	CHK'D	DSGN	DRAWING
	030323	030323	030323
	K.N	J.M	K.N
			T-S.M
SCALE		NAME	
1:12		VC-Ez 16X TOTAL VIEW DRAWING	
0 D55 TV C010 2		50T / MG DOOR / CHIP BUCKET	
QTY	DATE	DC NO.	SIGN
1	07/21/2023	D55M10054	T-S.M
1	06/15/2023	D55009M00	T-S.M