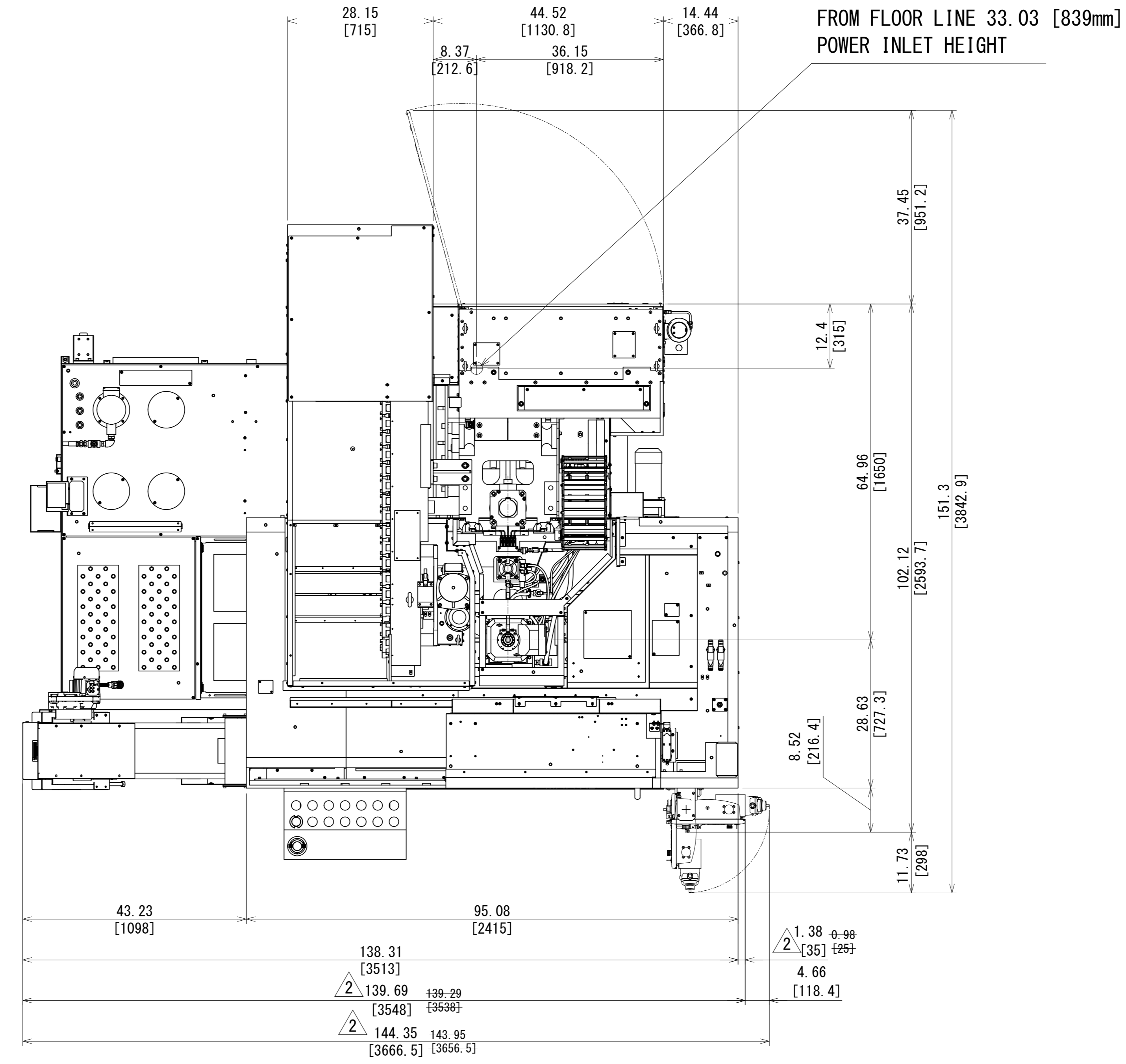
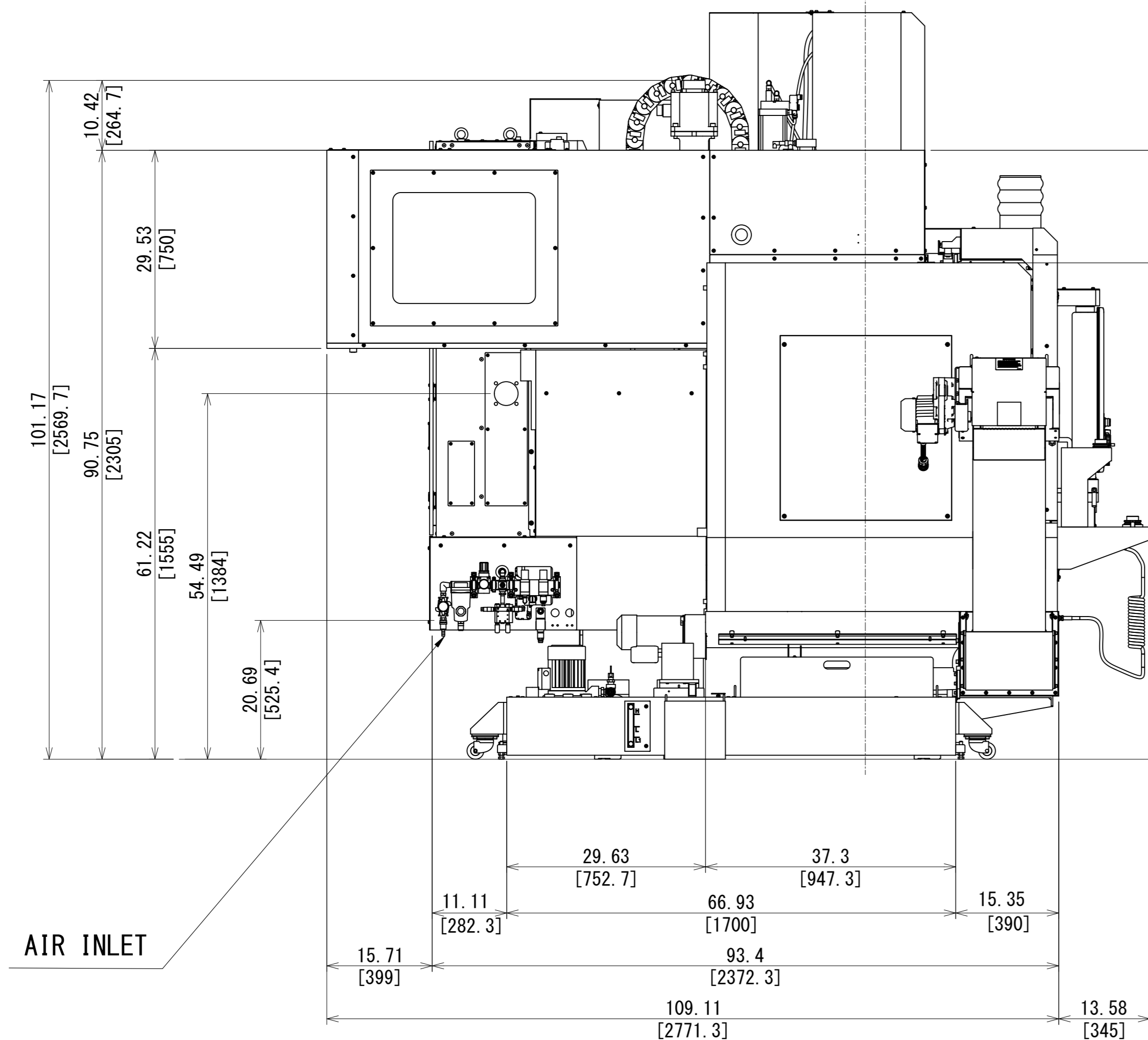


Z



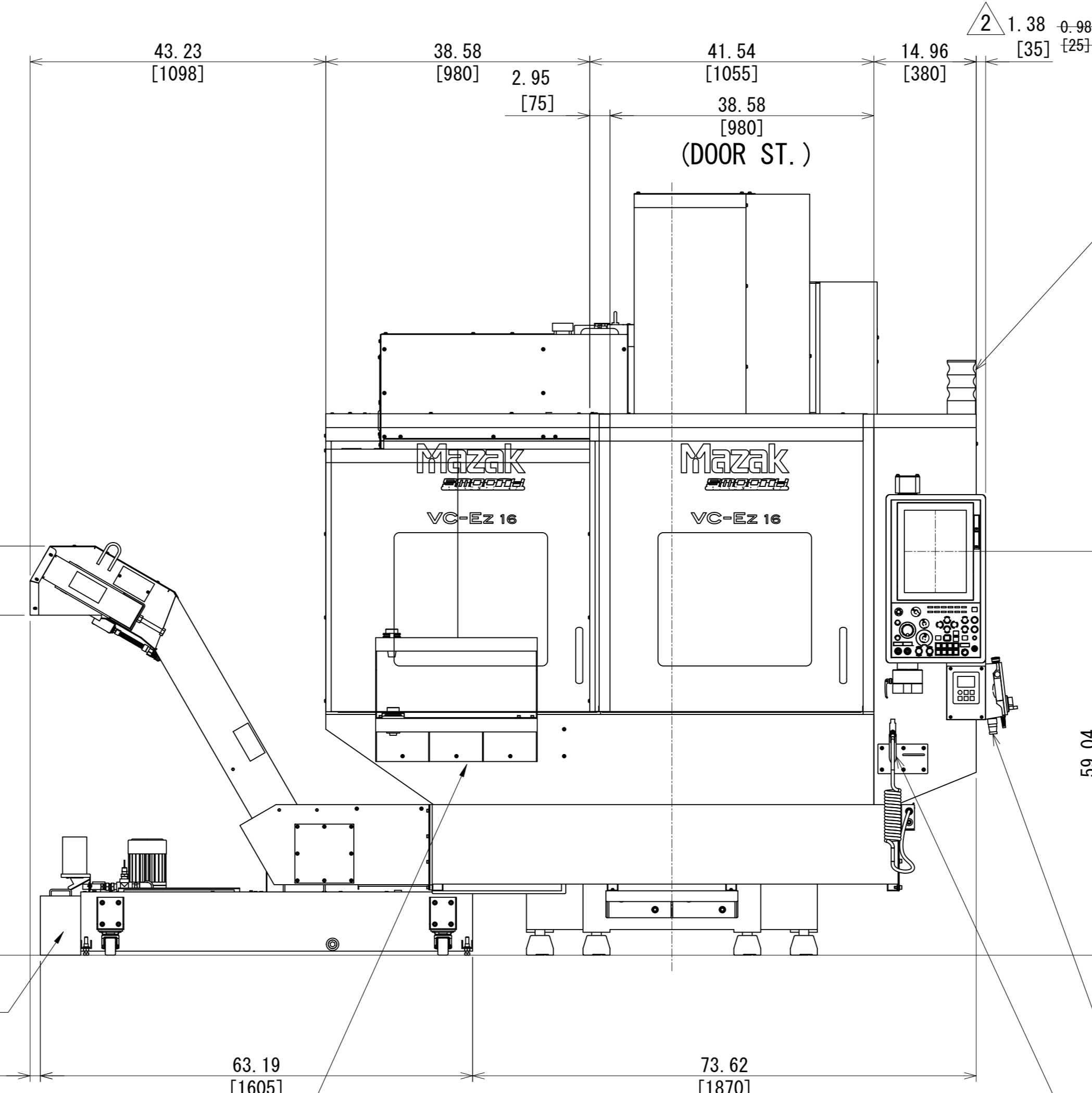
FROM FLOOR LINE 33.03 [839mm]
POWER INLET HEIGHT



AIR INLET

OIL SKIMMER (OP)

Ez TOOL STATION (OP)



(DOOR ST.)

SIGNAL TOWER (OP)

(Z-ST.)

(TABEL HEIGHT)

SEPARATE HAND PULSE (OP)

HANDHELD COOLANT NOZZLE (OP)

Z

THIS IS REDRAWN

Inch [mm]

THIRD ANGLE PROJECTION			
APP' D	CHK' D	DSGN	DRAWING
022422	022422	022422	022422
K. N	JVM	K. N	M-R. T
SCALE		NAME	
1:14		量産 VC-Ez 16 50T 95gal タンク ホンジコンベア仕様	
05/11/2023 D65049M00 M-K. S		量産 VC-Ez 16 50T 95gal タンク ホンジコンベア仕様	
09/22/2022 D66003M00 T-K. S		量産 VC-Ez 16 50T 95gal タンク ホンジコンベア仕様	
QTY	DATE	DC NO.	SIGN
0	09/22/2022	D66003M00	T-K. S
DRAWING NO.		0 D66 TV C057 2	

