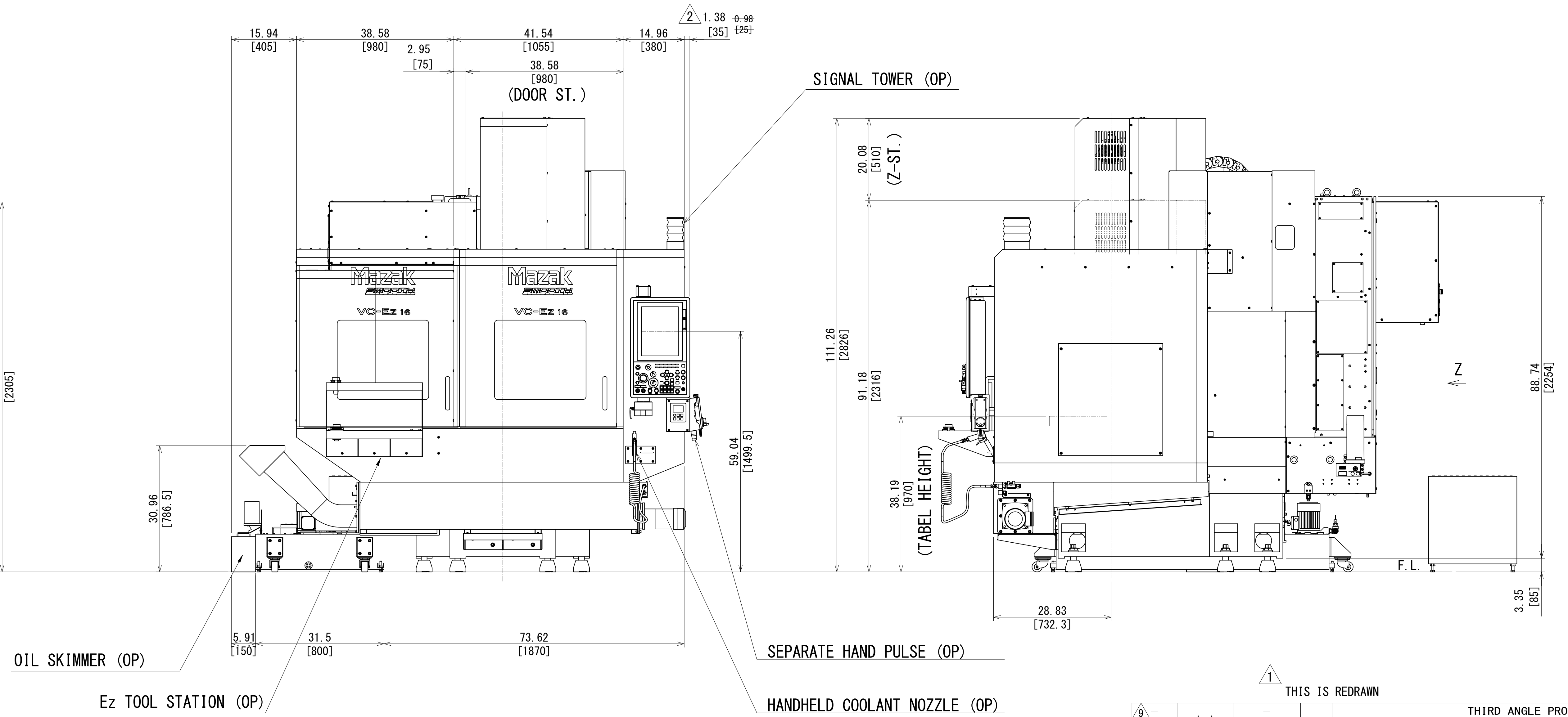
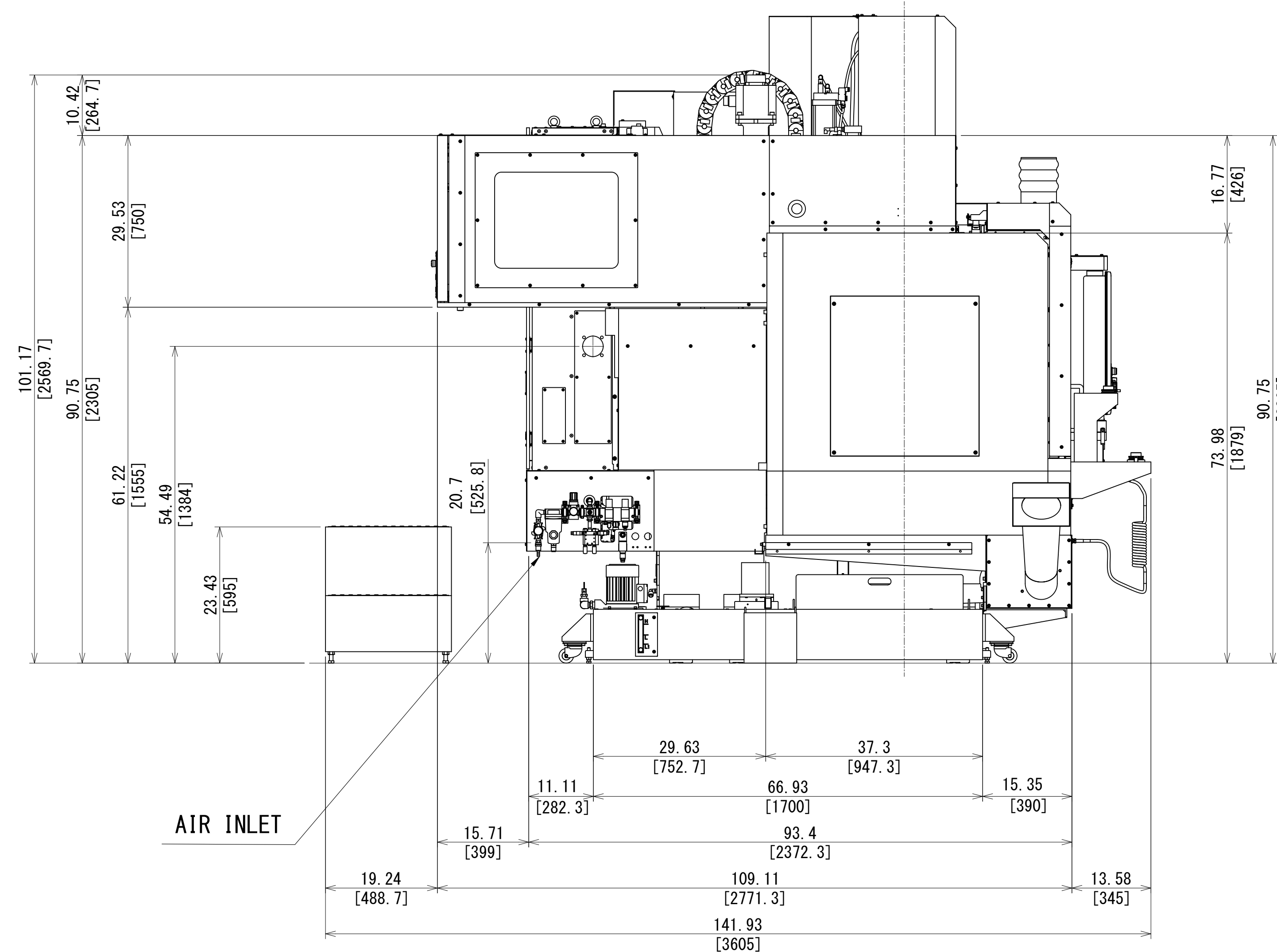
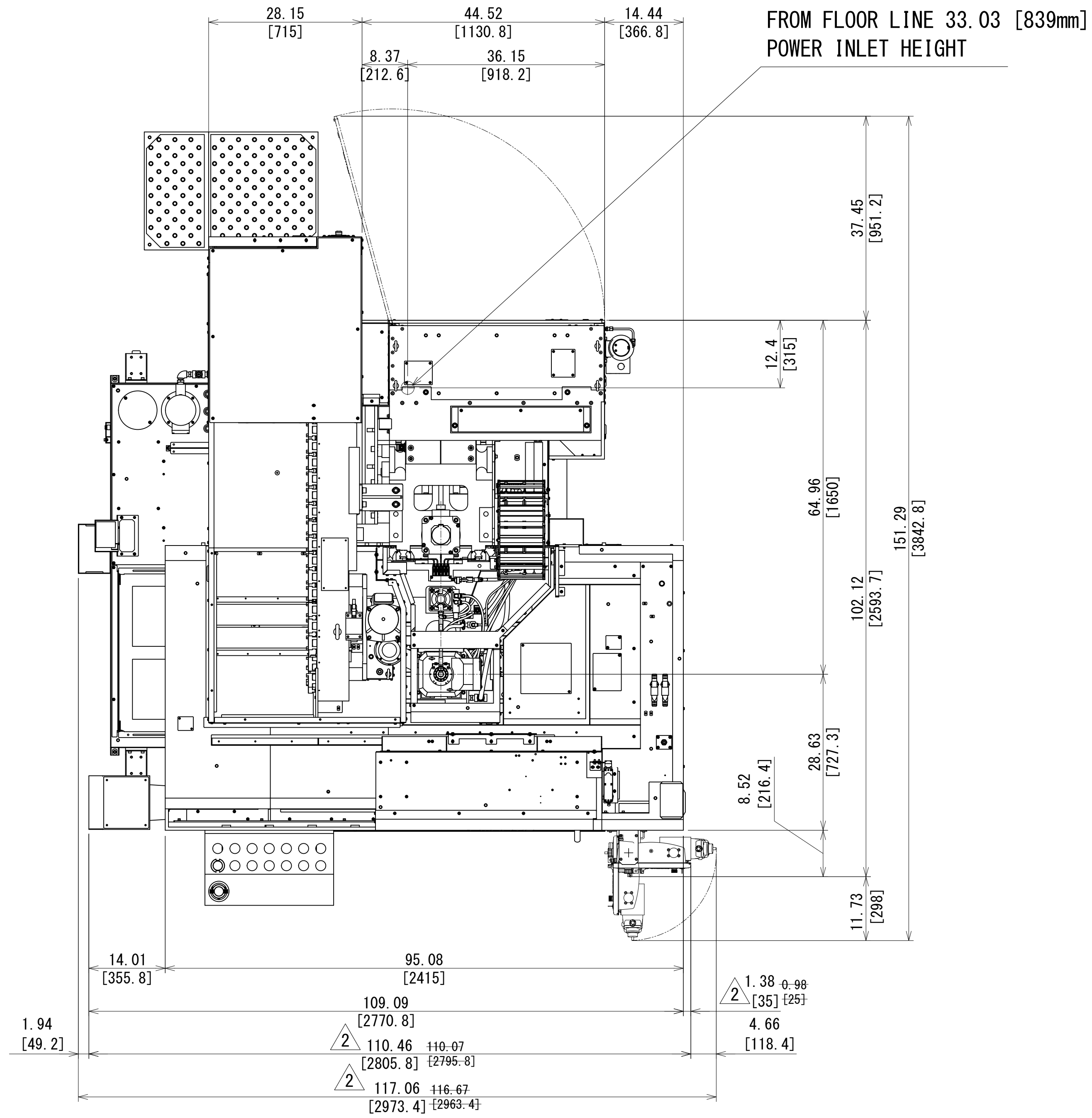


Z



Inch
[mm]

THIS IS REDRAWN

THIRD ANGLE PROJECTION			
APP'D	CHK'D	DSGN	DRAWING
021922	021922	021922	021922
K.N	JVM	K.N	M-K.S
SCALE		NAME	
1:14		量産 VC-Ez 16 50T MGドア オアコンベア仕様全体図	
05/10/2023		MASS VC-Ez 16 50T MG DOOR AUGER CONVEYOR TOTAL VIEW DRAWING	
QTY	DATE	DC NO.	SIGN
1	09/22/2022	D66003M00	T-K.S
DRAWING NO.		0 D66 TV C053 2	

Mazak

0 1 2 3 4 5

INCH/METRIC

1 2 3 4 5