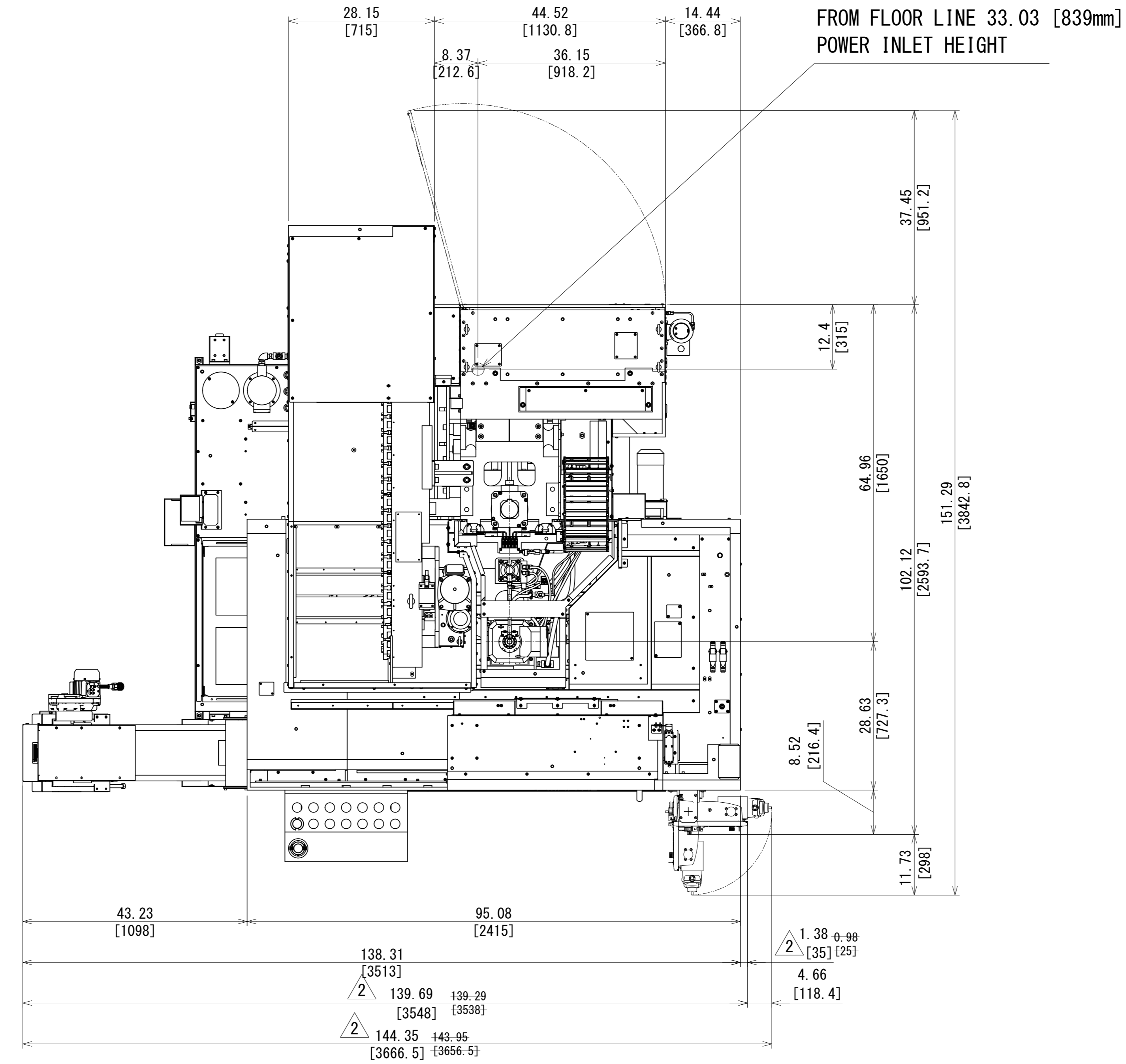
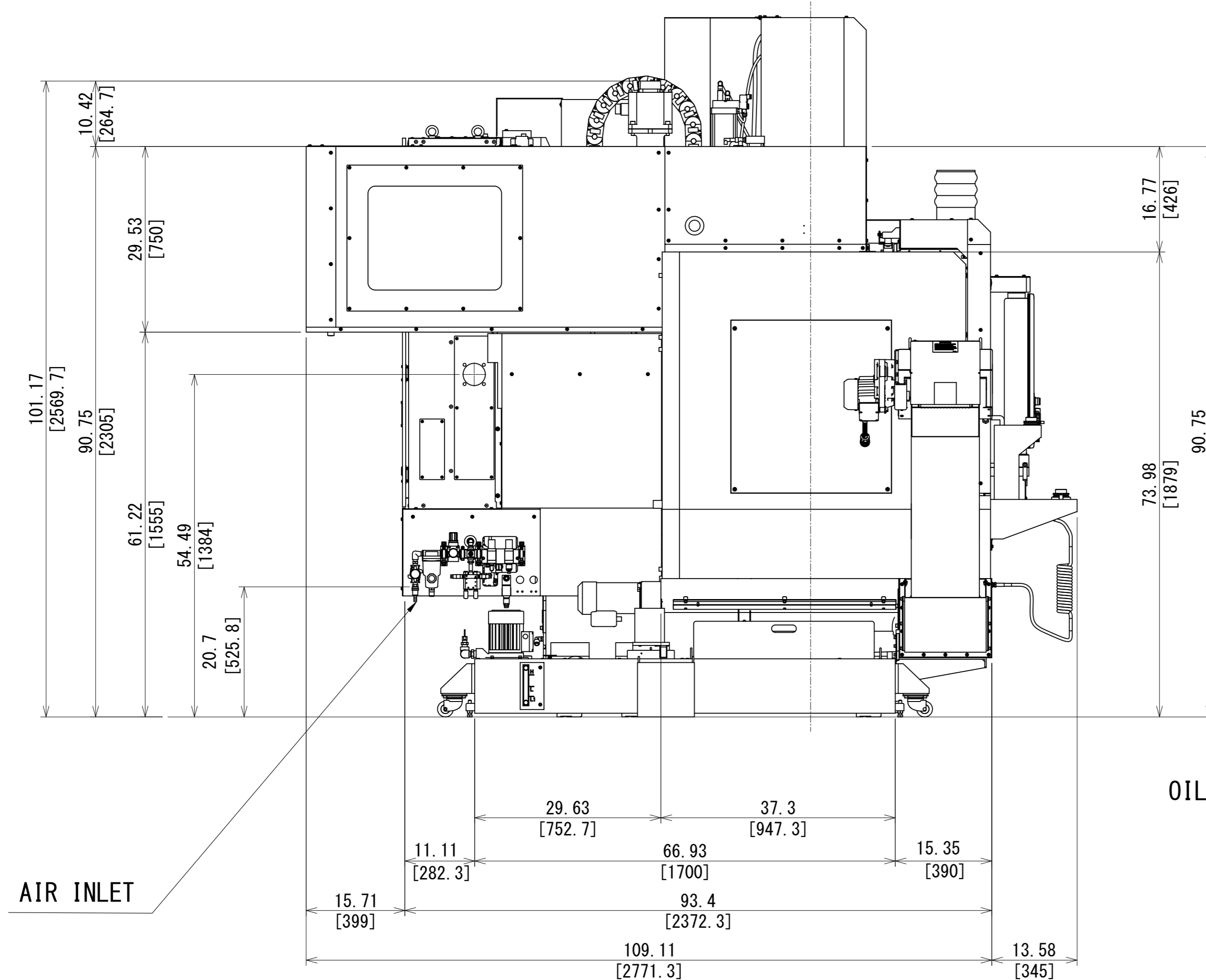


Z



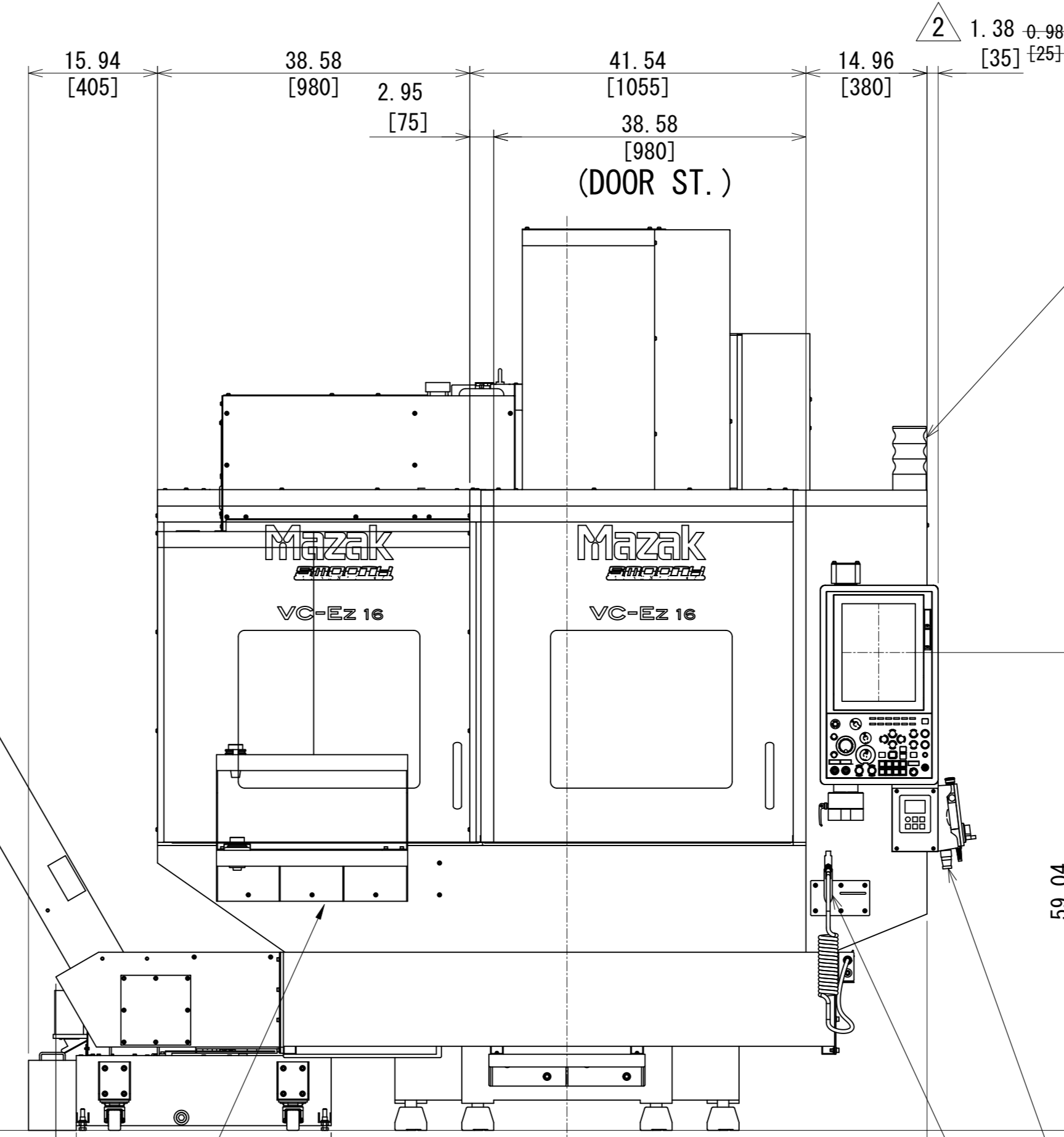
FROM FLOOR LINE 33.03 [839mm]
POWER INLET HEIGHT



AIR INLET

OIL SKIMMER (OP)

Ez TOOL STATION (OP)

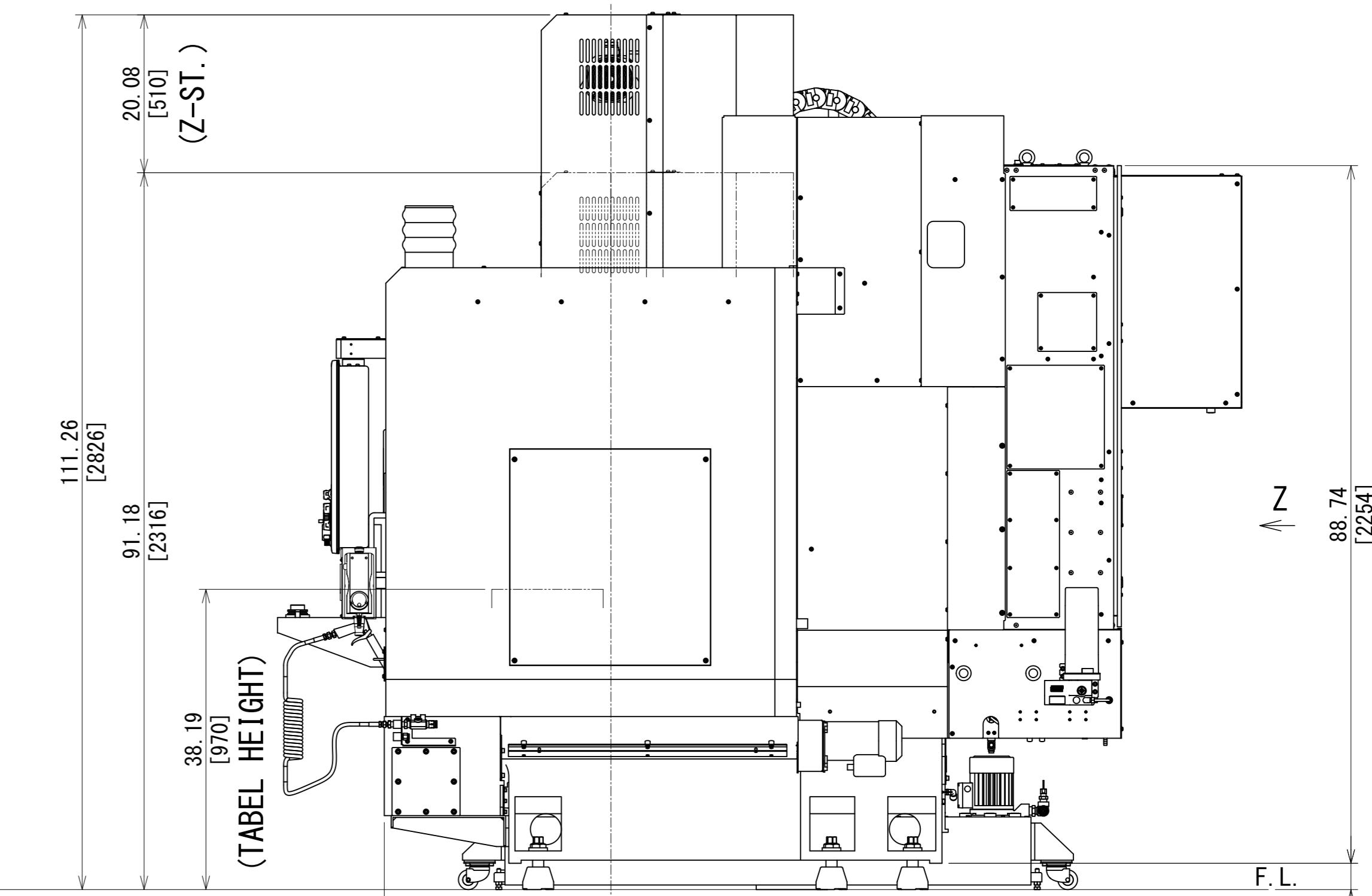


(DOOR ST.)

SIGNAL TOWER (OP)

HANDHELD COOLANT NOZZLE (OP)

SEPARATE HAND PULSE (OP)



(Z-ST.)

(TABEL HEIGHT)

THIS IS REDRAWN

Inch [mm]

THIRD ANGLE PROJECTION			
APP' D	CHK' D	DSGN	DRAWING
021922	021922	021922	021922
K. N	JVM	K. N	M-K. S
SCALE		NAME	
1:14		量産 VC-Ez 16 50T ヒンジコンベア仕様全体図	
05/09/2023		D65049M00 M-K. S	
09/22/2022		D66003M00 T-K. S	
QTY	DATE	DC NO.	SIGN
0	09/22/2022	D66003M00	T-K. S
DRAWING NO.		0 D66 TV C051 2	