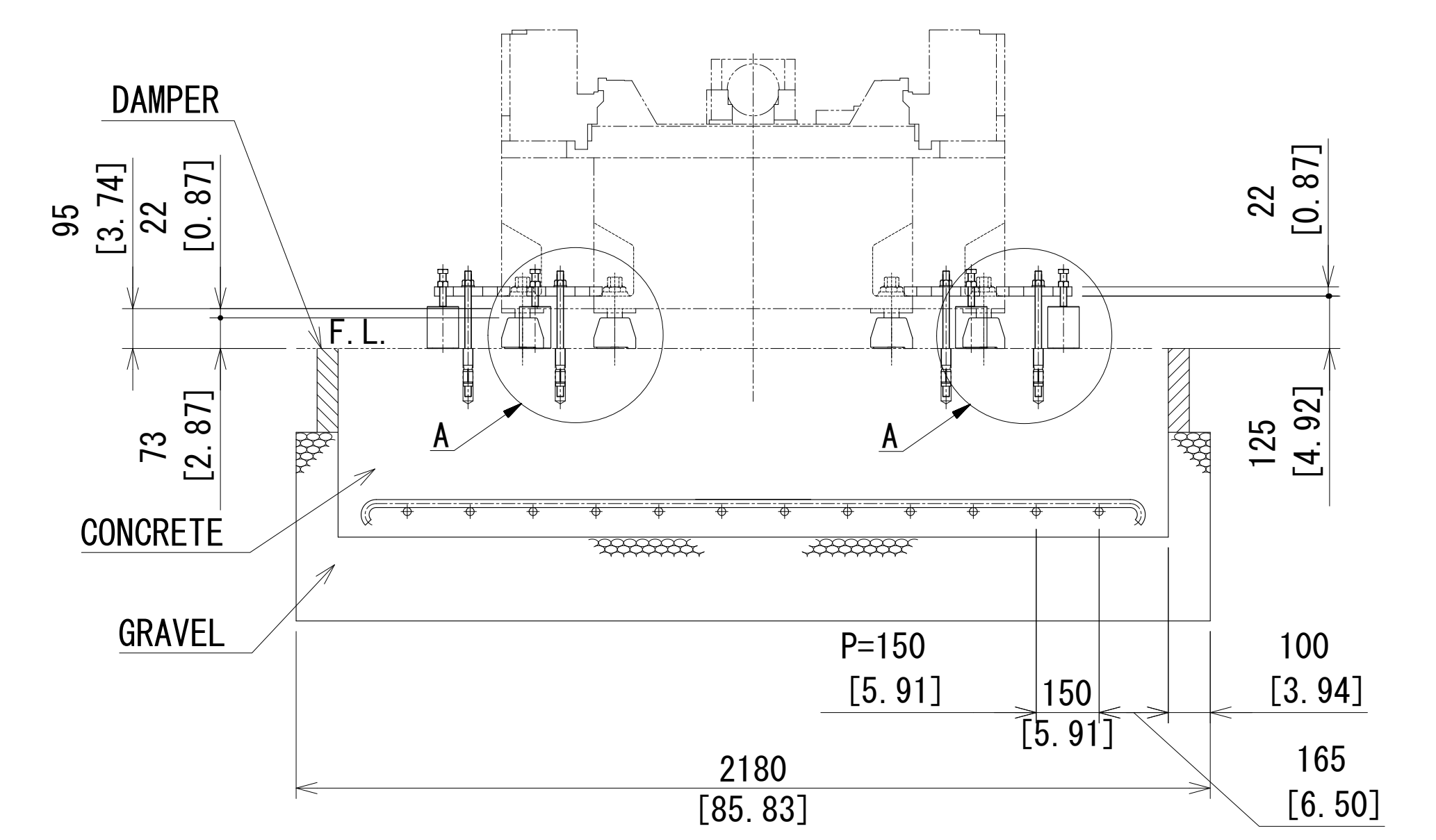
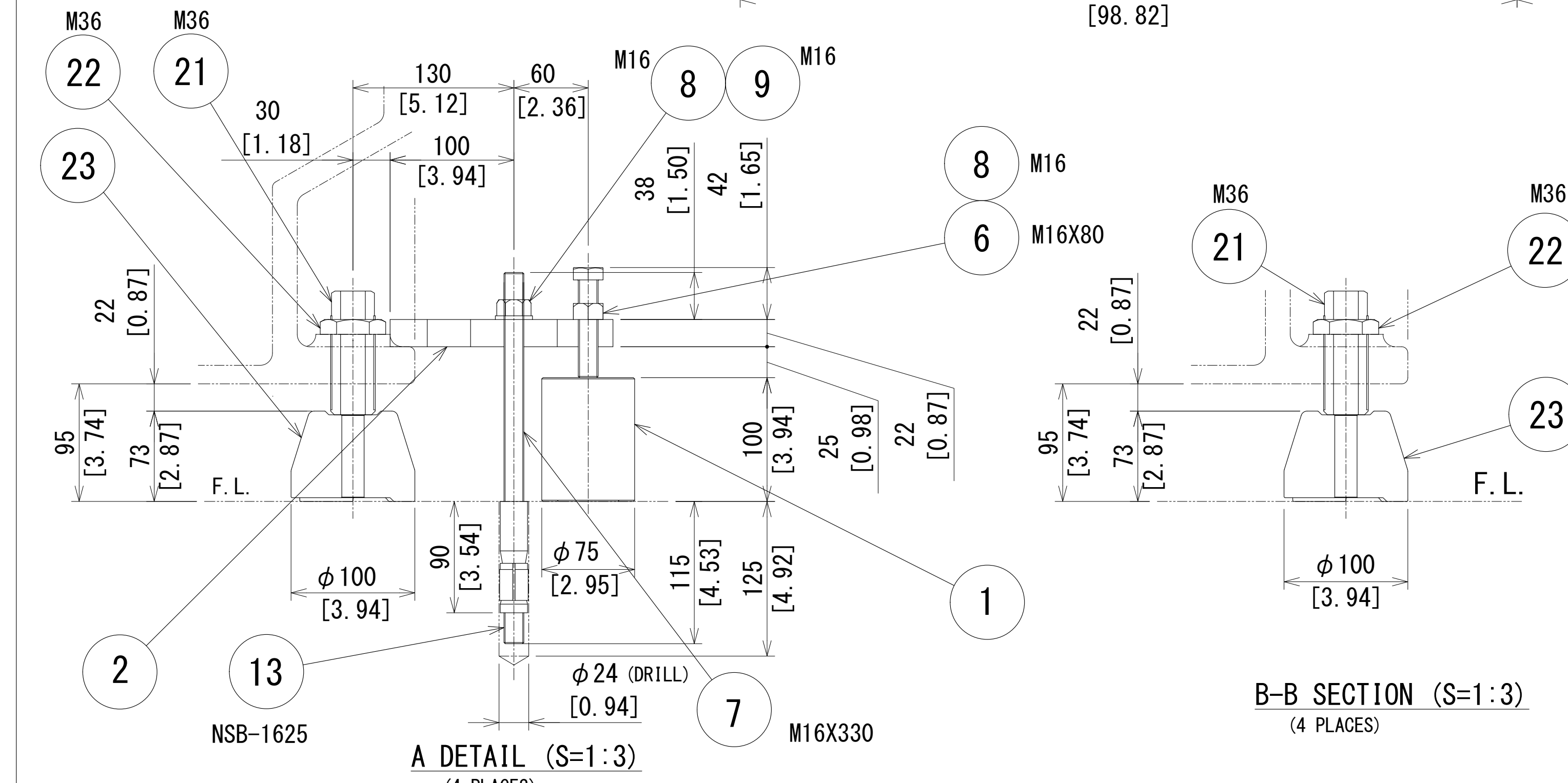
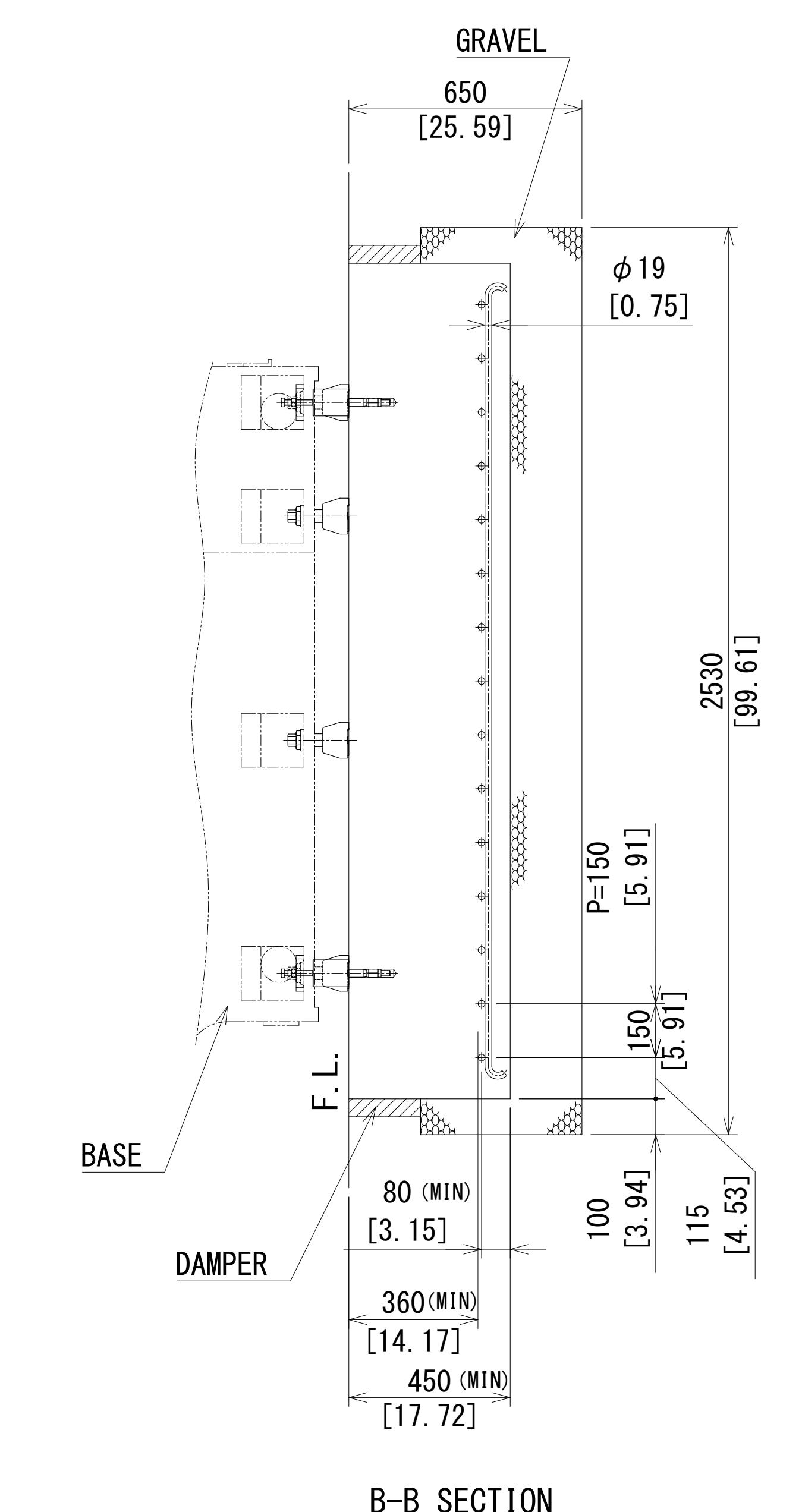
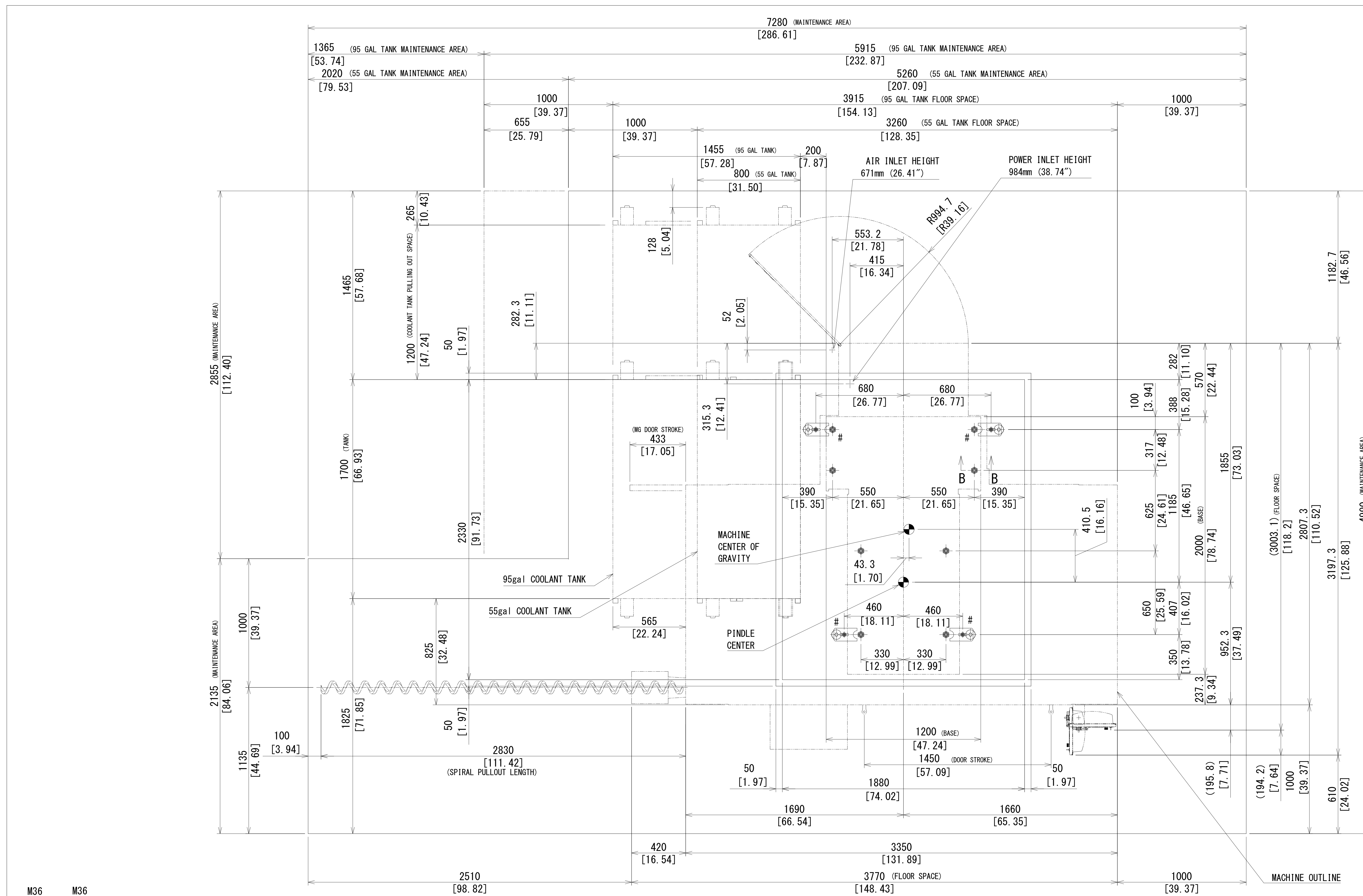


YAMAZAKI MAZAK Corporation has the property of this drawing and the design shown in it, any part of this drawing and design shall not be disclosed to any third party without prior permission of YAMAZAKI MAZAK Corporation.
 ヤマザキマザック株式会社はこの図面および図面に含まれた技術情報に関する権利を所有し、 当社の事前の許可なく、その全部又は一部を開かす第三者に開示してはならない。

This product is subject to all the applicable Japanese Foreign Exchange and Foreign Trade Law. 本品は「外国為替及び外国貿易法」に該当しますので、 外国に輸出する場合には別法に基づき許可を必要とします。 当社の事前の許可なく、その全部又は一部を開かす第三者に開示してはならない。



- Suggestions for Floor Foundation Preparation
- 1) Use gravel stones to obtain a minimum soil bearing pressure of 49kPa (1024lbs/ft²).
 - 2) Use concrete with a minimum compressive strength of 17.7MPa (2560 PSI) and tensile strength of 1.98MPa (285 PSI).
 - 3) Take precautions so that there are no cracks in the concrete.
 - 4) 4 nos. whole anchors (marked #) should be positioned, drilled and set prior to set-up the machine.
 - 5) Use a vibration isolator (such as asphalt) around the foundation base.
 - 6) To reinforce the concrete, lay steel bars (19mm dia./3/4in. dia.) in the form of grid at a pitch of 150mm (5.9in.).
 - 7) Total volume of concrete 2.0m³ (70.6ft³).
 - 8) Use a proprietary finish to the concrete surface to prevent water penetration and provide a smooth finish.
 - 9) This drawing to be read in conjunction with the general arrangement drawing to ensure there is sufficient space around the machine for maintenance.

SPECIFICATION OF UNIT		THIRD ANGLE PROJECTION			
UNIT No.	SPEC.	APP'D	CHK'D	DSGN	DRAWING
5D6761003CO	VC-Ez 26	121021	121021	121021	121021
	AUGER/30T-MG/DRY PIT	K.N	JVM	K.N	T-Y.Y
		SCALE		NAME	
		1:12 (1:3)		VC-Ez 26 FOUNDATION DRAWING	
		DRAWING NO.	0 D67 61	AC15	0

mm [Inch]
 METRIC/INCH

<DRY PIT>